



Molift

Project guide

BM1801 Rev B - 22.04.2020

 **etac**[®]



Etac - Creating Possibilities

Etac is a world-leading developer and provider of ergonomic assistive devices and patient handling equipment. Through our specialized product brands, we offer state-of-the-art products for a wide range of daily needs and care settings, for all stages of life. Whether the solution is for a child or an elderly person, our aim is to promote the individual's abilities and improve the caregiver's working conditions – through sustainable quality, functionality and design.

molift®

Molift by Etac - offers ergonomic hoists, slings and transfer assistive devices ensuring safe and comfortable transfers in various care settings with both the caregiver and patient in mind.



Rail systems

Single rail systems	7
Area covering rail systems	8
Continuous traverse systems	9
Rail switch systems	10



Ceiling hoists

Hoist types	12
Sling bars	13



Projecting

Overview:

Maximum span for standard rails	15
---------------------------------------	----

Rail combinations in area covering systems

Standard ceiling fixings	16
Standard ceiling fixings - underhung	17
Directly against ceiling - underhung	24
Wall rail directly on wall	27
Embedded in ceiling	28

Outer hoisting point

Traverse rail	30
Underhung traverse rail	31

Rail combinations in coupling systems

Standard ceiling fixings - underhung	32
--	----

Technical drawing

Single coupling	36
Double coupling	37
Curves, rail switch	38

Passage through doorways

Sliding doors	39
Side-hung door	40
Continuous traverse rail	41

Calculating door aperture/door

Sliding doors	42
Side-hung door	43

Calculation of wall height

Continuous traverse system	44
Wall gap for hoist	45
Swing solution	46

Dimensioned sketch

Molift Air with sling	48
-----------------------------	----

Fixings

Ceiling	49
Walls	52
Upright support fixing	54

Reinforcements ceiling installation

Wooden constructions	55
Coupling	56

Reinforcements wall installation

Plaster	57
---------------	----

Electrical

Manual charging	58
-----------------------	----

Electrical circuits

Charging in the rail system	59
-----------------------------------	----

SWL 500

SWL 500 rail system	60
---------------------------	----

Professional partnership

This guide will give architects, engineers, businesses, consultants and others an overview of various possible solutions. The aim of the guide is to simplify project planning for efficient ceiling-mounted hoist systems. The Project guide deals with the most common questions and issues that arise in direct relation to ceiling hoist systems.

In addition to this guide, we offer professional advice in the form of:

- Specification and calculation assistance
- Detailed project planning
- Creating descriptions
- Participation in start-up/project planning meetings
- Participation in coordination meetings with other businesses
- Regular site visits



Molift products are designed for life

Molift offers a comprehensive range of hoists, slings and other flexible ergonomic solutions within patient handling. Our long-standing tradition of setting new standards, in consultation with healthcare professionals, has enhanced the quality of life for people with reduced mobility, while protecting caregivers.

The Molift story

Molift products are designed to give users a better quality of life while providing caregivers the best support and optimum work environment. Our objective is to make solutions that improve the quality of life each day for users and give caregivers a safer working environment, enabling them to focus more of their time and energy on the users.

Molift has developed products and services in the assistive technology industry since the 1980's. Molift has had the foresight to consult healthcare professionals for expert advice and to then transfer that knowledge into the production of a range of hoists, slings and other transfer patient handling solutions.

Best in class – Lasting durability

Molift products give users and carers the opportunity to make the most of life through safe, efficient and comfortable transfer solutions. Molift transfer solutions are designed to be the best in class when it comes to product quality, reliability and durability.

Certificates

Molift products' manufacturing unit, Etac Supply Gjovik AS, is certified according to the ISO standards NS-EN ISO 9001:2015 and NS-EN ISO 14001:2015.





Rail systems

Ceiling and wall mounted rail system that support effortless and ergonomic transfers of immobilized persons. The rails can be mounted in hospitals, care facilities or private homes.

Single rail systems

This rail system consists of a single rail, or monorail, on which the hoist runs.

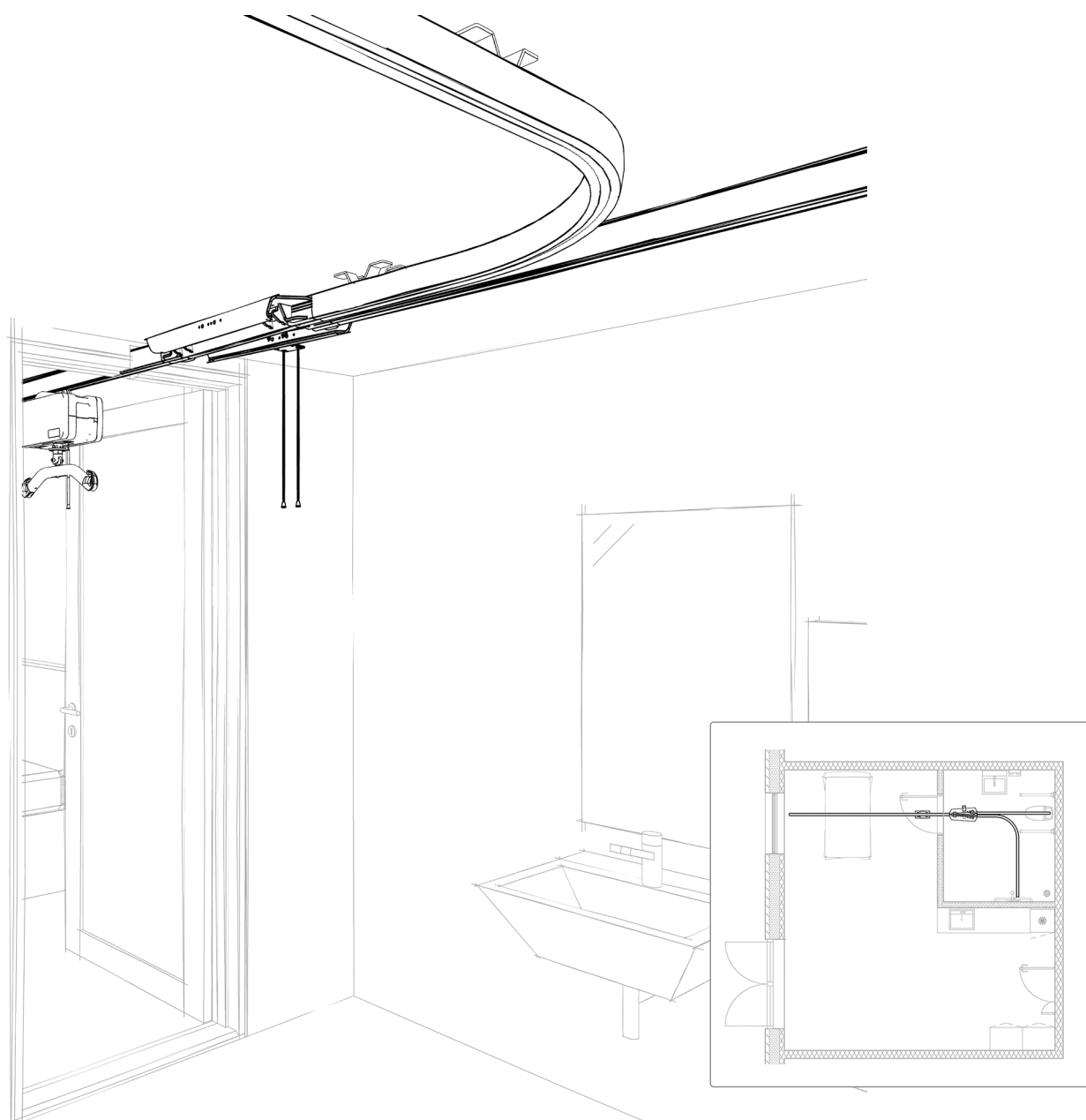
The system can be extended with curves at various angles and can include rail switches.

Single rail systems are suited to movement and transfers over longer distances, for example in corridors or for gait training.

Single rail systems can be used in the same transfer situations and spaces as area coverage systems. With

single rail systems one must however remember that the planning decision involves a “locked-in” solution, since the wheelchair and bed must be placed directly beneath the rail, since lifting can only be performed beneath the rail layout.

Single rail systems can in some cases be inset, or embedded into ceilings that only the underside of the rail is visible.





Area covering rail systems

This rail system consists of two primary rails which can be fixed to ceiling, wall or floor. A moving traverse rail runs between the primary rails. The ceiling hoist runs back and forth in the traverse rail.

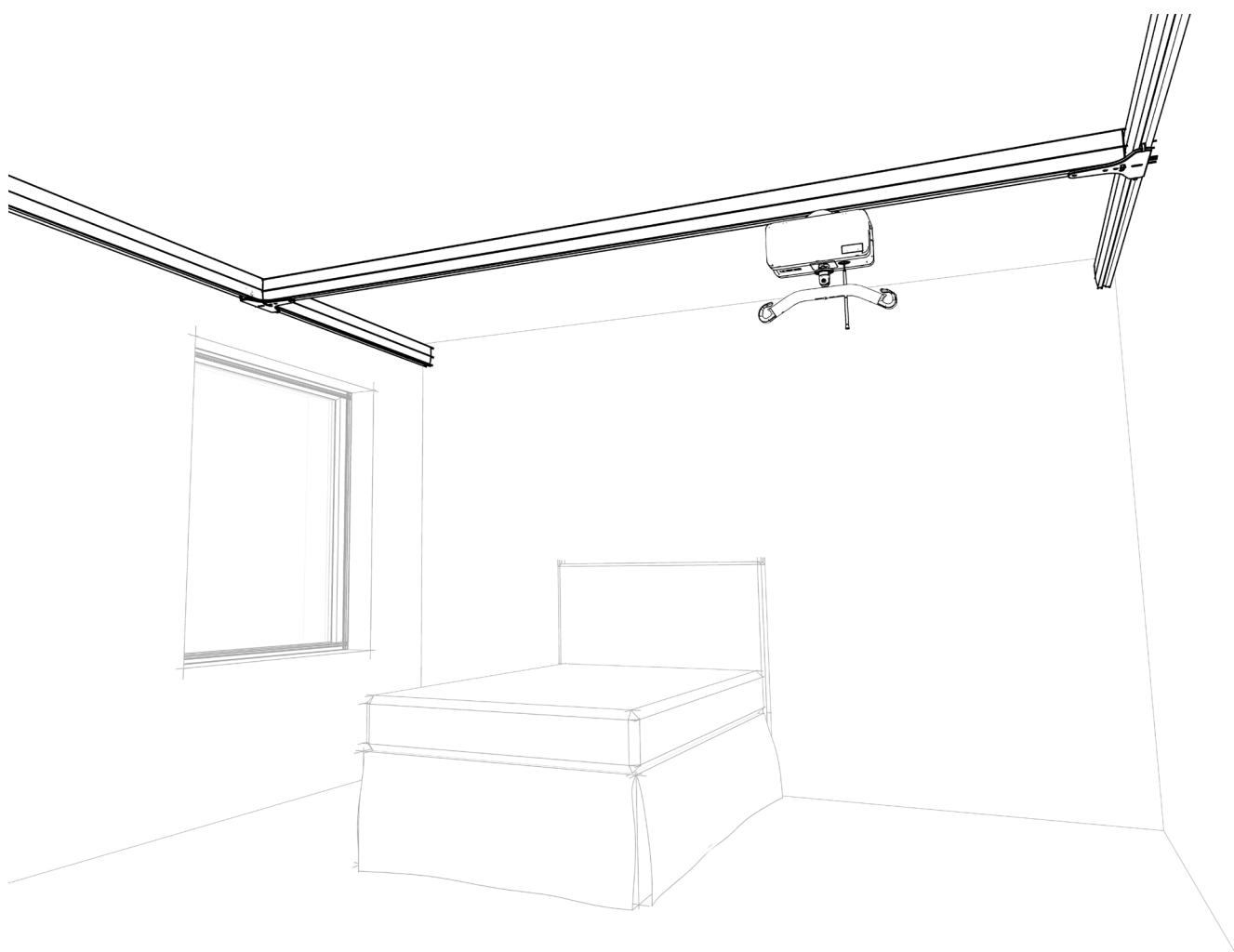
This system allows extensive freedom in planning the project with respect to room furniture. Beds, wheelchairs and other equipment can be placed at will, without having to take the layout of the rail system into account.

Using rail systems that allow loading anywhere in the rail layout results in the most flexible solution, since the hoist can be loaded at any point within the area covered by the rail system.

Area covering rail systems transfers of the person at any point within the space.

The area covering system is the optimum solution in rooms where considerable lifting is done: lifts become quicker, easier and more comfortable both for the caregiver and the person in care.

In some cases the primary rails can be inset flush with the ceiling so that only the traverse rail is below the ceiling.



Continuous traverse systems

By installing a single large area covering rail system, two adjoining rooms can be covered (typically bedroom and bathroom).

This rail system consists of two primary rails which may be fixed to the ceiling or wall.

A traverse rail runs between the primary rails and the ceiling hoist travels back and forth in the traverse rail.

This solution involves installing the rail system beyond room divisions. Typically, the traverse rail can be parked close to a room division. Here, an in-built cabinet can be constructed in which the ceiling hoist can also be parked.

This allows the gap in the wall to be closed. When not in use the ceiling hoist is thus hidden in a cabinet, which can also be used to store a sling, for example.

Transfer between the two rooms happens in one gliding and continuous movement and is a single operation,

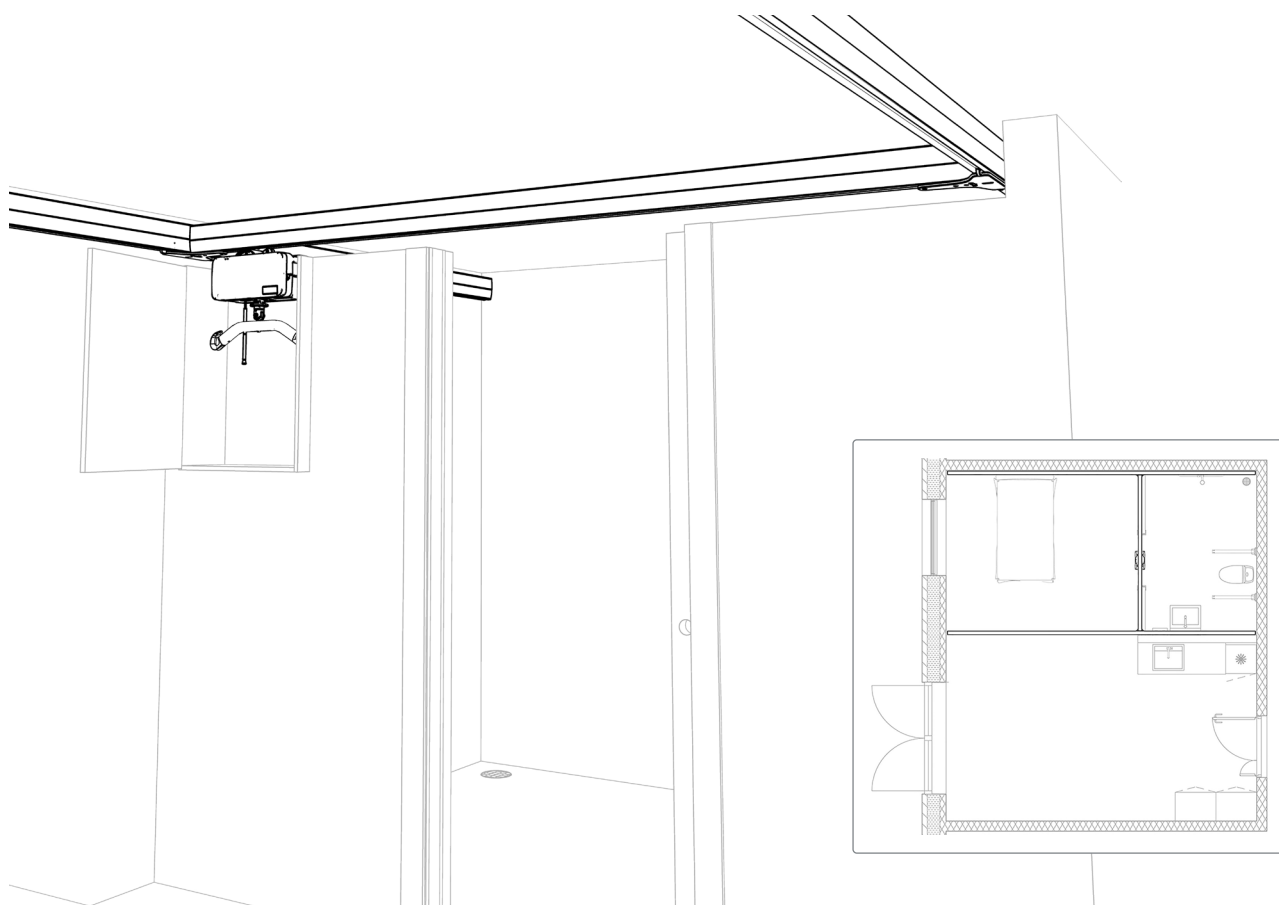
since there is no linking/switching to another system. The rail is continuous from one room to another.

The system allows for freedom when planning the project and furnishing the rooms. The bed, wheelchair, toilet and other furniture can be placed as desired and without reference to the rail system.

The continuous rail system enables transfer of the person in care to and from any place in the room.

It is the optimum solution in rooms where a considerable amount of lifting is done: lifts become quicker, easier and more comfortable for both the caregiver and the person in care.

In some cases the primary rails can be inset flush with the ceiling so that only the traverse rail is below the ceiling.





Rail switch systems

Where there is a need to link adjoining rooms, a rail switch can be used to combine two area covering rail systems, or an area covering rail system and a single track system.

The traverse rail must run at right angles to the room where the coupling is required.

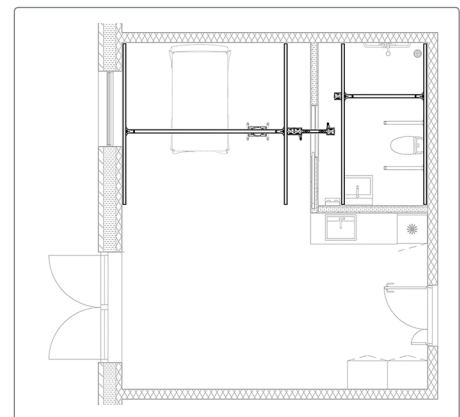
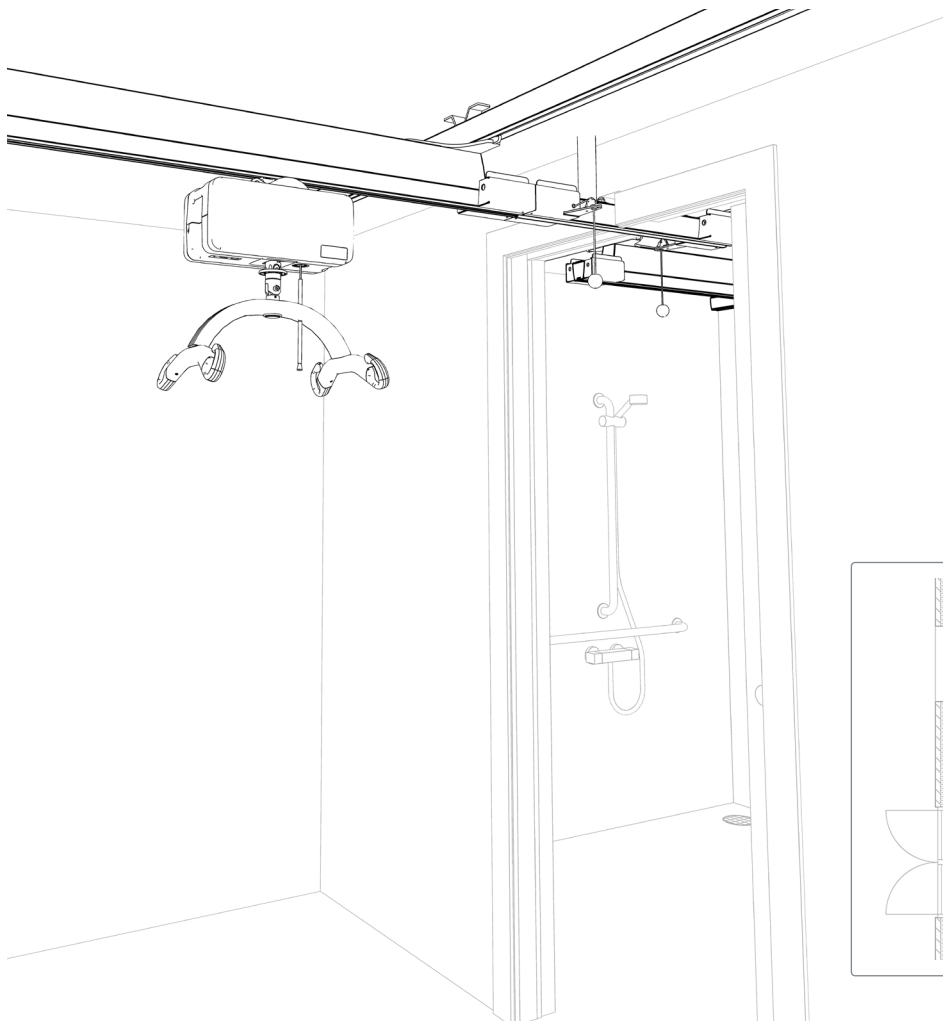
A fixed rail will be installed in the doorway between the two rooms. When the driving traverse rail is outside the single rail, the two systems connect automatically. The built-in safety lock opens to allow transfer from room to room.

Disconnection of the lock is done manually.

The linking of two room-covering rail systems allows for a certain freedom when planning the project, since furniture such as bed, wheelchair, toilet and other equipment can be placed relatively freely.

When connecting from an area covering rail system to a single rail, the room furniture in the area with the single rail must be placed to coincide with the route of the track.

In some cases the primary rails can be inset (embedded) flush with the ceiling so that only the traverse rail is below the ceiling. When connecting from an area covering rail system to a single rail, the coupling track and the single rail will be hung below the ceiling.





Ceiling hoists

Stationary or mobile, compact ceiling hoists with intuitive operation for a safe and comfortable transfer. Molift's hoists have an outstanding lifting capacity and are optimized for long lifetime and low service costs.



Hoist types

The lifting function on all Molift Air hoists is performed by a battery-driven motor. All hoist types run on a rail system with a 'smart quick release' function which makes it very easy to engage/disengage the hoist.

Recharging of Molift Air hoists is either by manual means or by in-rail charging, which is performed automatically across the rail layout.

Molift Nomad hoists can only be charged manually.

All Molift hoists have built-in software as standard (the 'Service Tool'), enabling data gathering on the use of the hoist. The software can provide service alerts and technical trouble-shooting, as well as allowing verification and adjustment of key parameters.



Molift Air 200

Max. hoisting capacity 205 kg



Molift Air 205/300

Max. hoisting capacity 205/300 kg



Molift Air 350 kg

Max. hoisting capacity 350 kg



Molift Air 500

Max. hoisting capacity 500 kg



Molift Nomad

Max. hoisting capacity 160-255 kg

Sling bars

Molift Air hoist types can be used with either 2- or 4-point sling.

Molift hoisting bars are made of aluminium and support the total weight of the lift. They are light-weight and easily carried and attached without the need for tools.



Molift 2-point sling bar

Small, Medium, Large.



Molift 4-point sling bar

Small, Medium, Large, X-large.





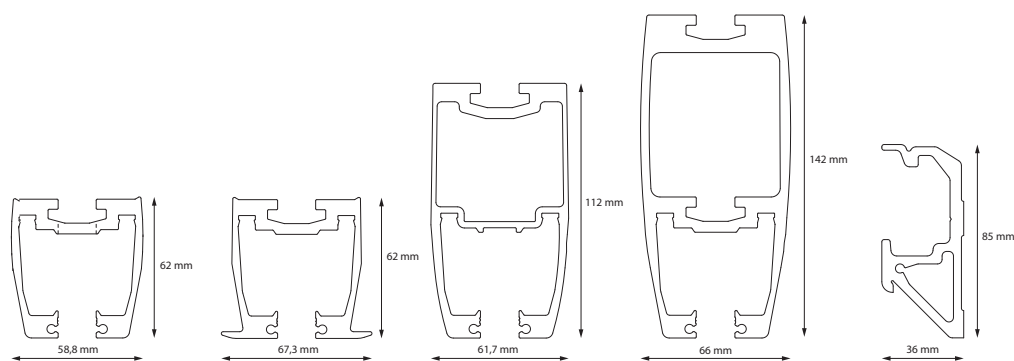
Projecting

Effective and accurate project input is crucial to create solutions that benefit users, healthcare, builders and facility owners. Molift Rail System meets all the requirements for Universal Design of environments for disabled and immobilized persons.

Overview:

Maximum span for standard rails

SWL	Pro-file	Type	Overhang B (m)														Max distance between pedants A (m)																								
			0,05	0,25	0,35	0,40	0,50	0,60	0,70	0,30	0,50	0,60	0,90	1,00	1,20	1,50	1,60	1,75	2,00	2,25	2,75	3,00	3,25	3,50	3,75	4,00	4,25	4,75	5,00	5,25	5,75	6,00	2	3	4	5	6	7			
160	62	DC	X																X																	X	X	X	X		
	62	CC/OC				X																X														X	X	X	X		
	112	OC					X																					X								X	X	X	X		
	142	OC									X																									X	X	X	X		
	85	W		X													X																			X	X	X	X		
205	62	DC	X																X																	X	X	X	X		
	62	OC/CC				X																X														X	X	X	X		
	112	OC					X																				X									X	X	X	X		
	142	OC									X																									X	X	X	X		
	85	W		X													X																			X	X	X	X		
230	62	DC	X																X																	X	X	X	X		
	62	CC/OC				X																X															X	X	X	X	
	112	OC					X																				X										X	X	X	X	
	142	OC									X																										X	X	X	X	
	85	W		X													X																				X	X	X	X	
255	62	DC	X																X																		X	X	X	X	
	62	CC/OC				X																X																X	X	X	X
	112	OC					X																				X											X	X	X	X
	142	OC									X																											X	X	X	X
	85	W		X													X																				X	X	X	X	
300	62	DC	X																	X																	X	X	X	X	
	62	CC/OC				X																X																X	X	X	X
	112	OC					X																				X											X	X	X	X
	142	OC						X																														X	X	X	X
	85	W		X													X																					X	X	X	X
350	62	CC/OC	X																	X																		X	X	X	X
	112	OC				X																						X										X	X	X	X
	142	OC					X																															X	X	X	X
500	62	CC/OC	X																	X																		X	X	X	X
	112	OC				X																						X										X	X	X	X
	142	OC					X																															X	X	X	X



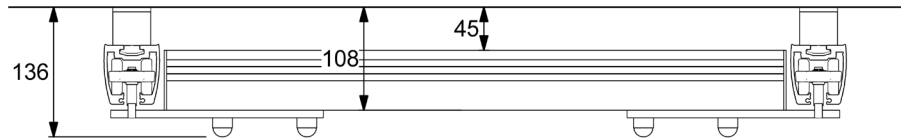


Rail combinations in area covering systems

Standard ceiling fixings

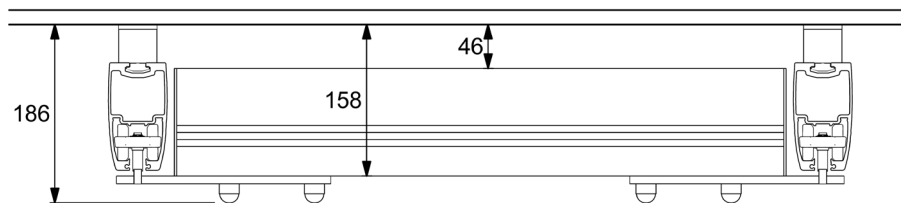
Type 1

- Rail H62
- Boxed traverse rail
- 40 mm bracket



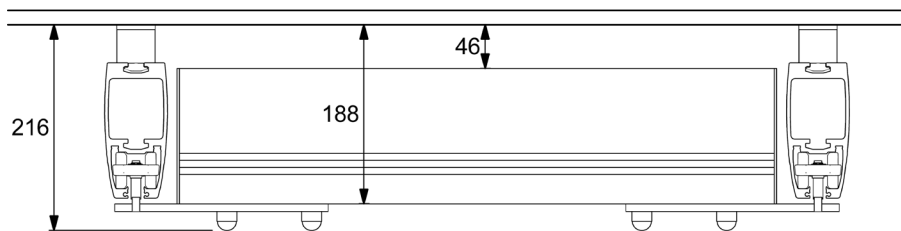
Type 2

- Rail H112
- Boxed traverse rail
- 40 mm bracket



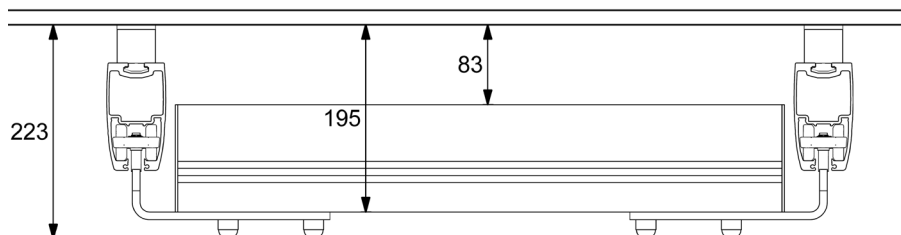
Type 3

- Rail H142
- Boxed traverse rail
- 40 mm bracket



Type 4

- Rail H112
- 50 mm traverse rail
- 40 mm bracket

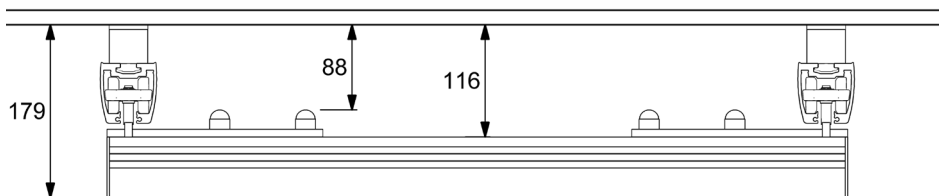


Rail combinations in area covering systems

Standard ceiling fixings - underhung

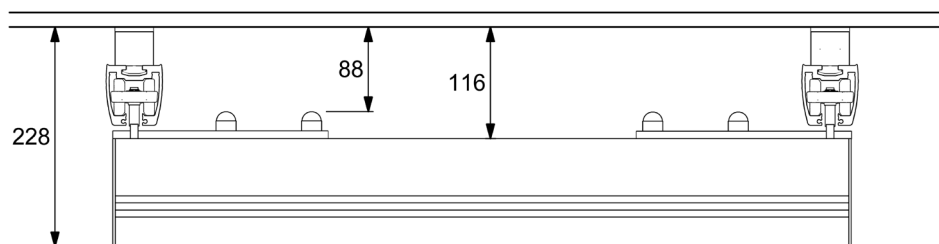
Type 5

- Rail H62
- Underhung rail H62
- Low traverse trolley
- 40 mm bracket



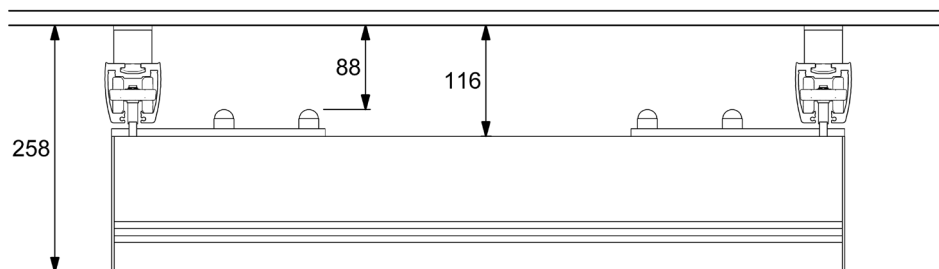
Type 6

- Rail H62
- Underhung rail H112
- Low traverse trolley
- 40 mm bracket



Type 7

- Rail H62
- Underhung rail H142
- Low traverse trolley
- 40 mm bracket



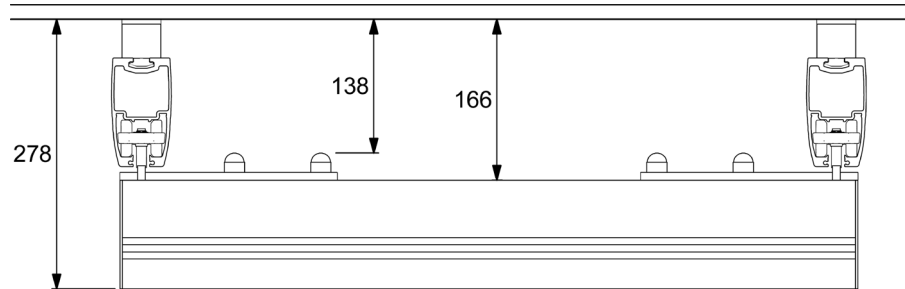


Rail combinations in area covering systems

Standard ceiling fixings - underhung

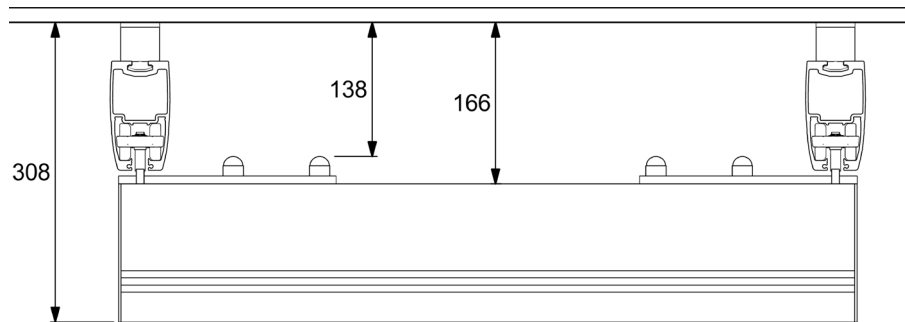
Type 8

- Rail H112
- Underhung rail H112
- Low traverse trolley
- 40 mm bracket



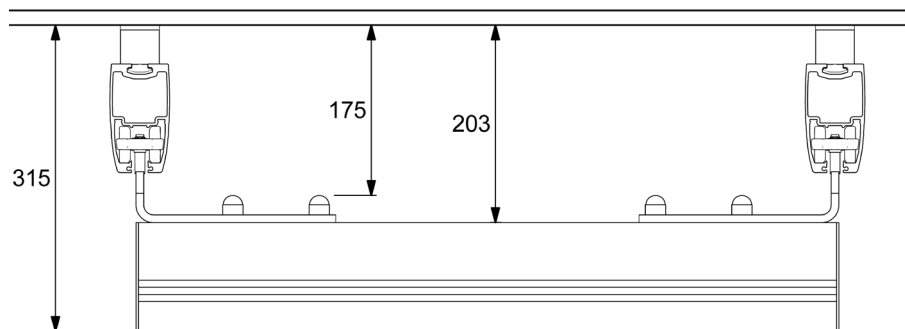
Type 9

- Rail H112
- Underhung rail H142
- Low traverse trolley
- 40 mm bracket



Type 10

- Rail H112
- Underhung rail H112
- Medium traverse trolley
- 40 mm bracket

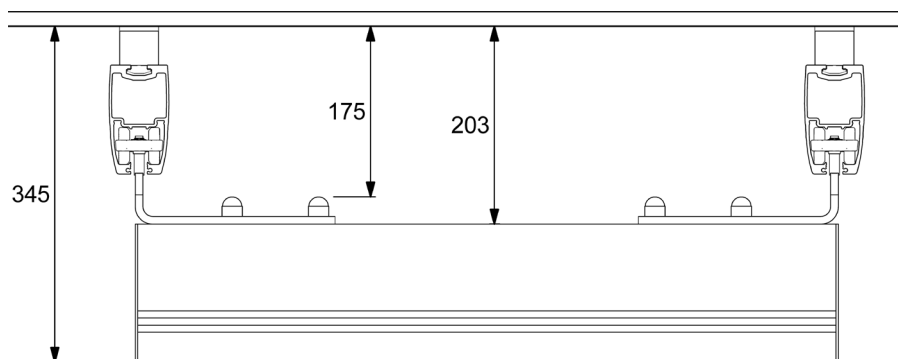


Rail combinations in area covering systems

Standard ceiling fixings - underhung

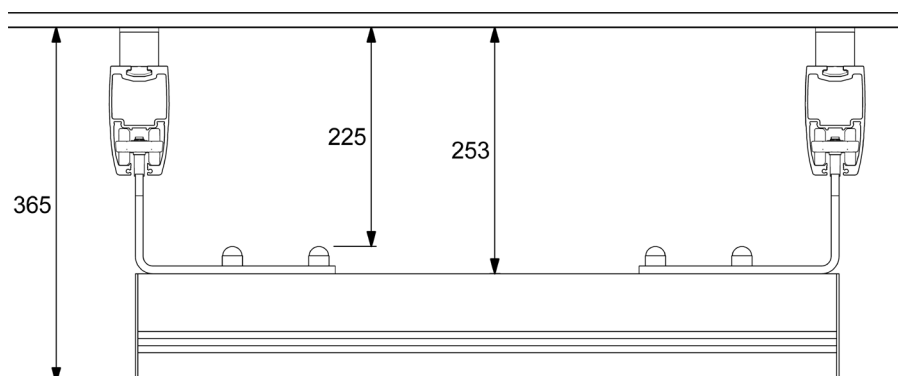
Type 11

- Rail H112
- Underhung rail H142
- Medium traverse trolley
- 40 mm bracket



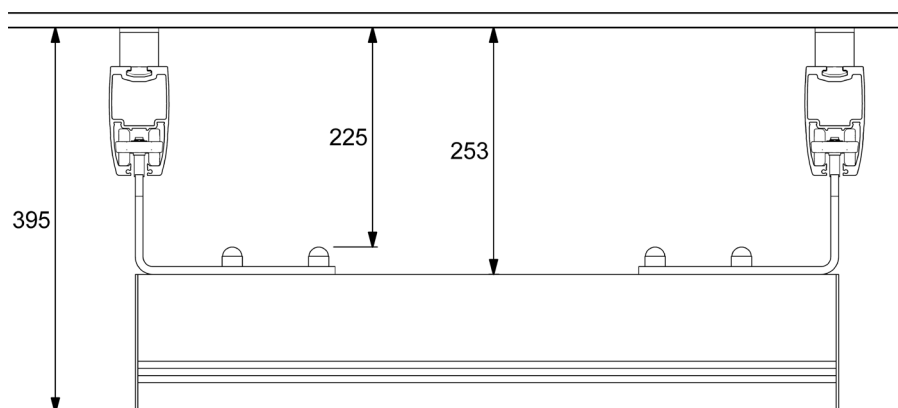
Type 12

- Rail H112
- Underhung rail H112
- High traverse trolley
- 40 mm bracket



Type 13

- Rail H112
- Underhung rail H142
- High traverse trolley
- 40 mm bracket



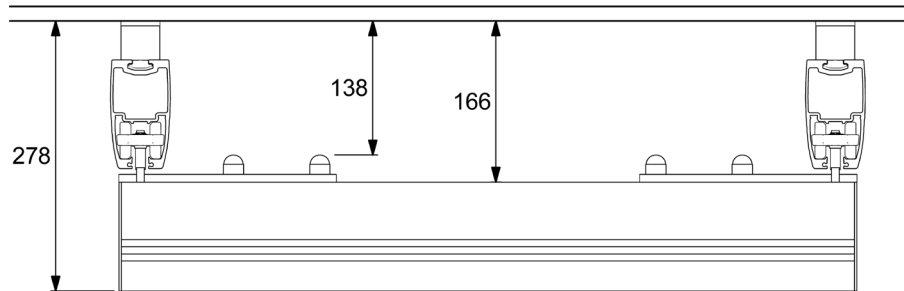


Rail combinations in area covering systems

Standard ceiling fixings - underhung

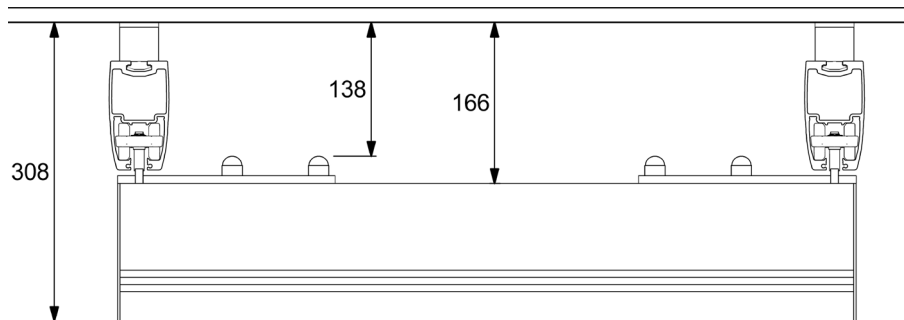
Type 14

- Rail H112
- Underhung rail H112
- Low traverse trolley
- 40 mm bracket



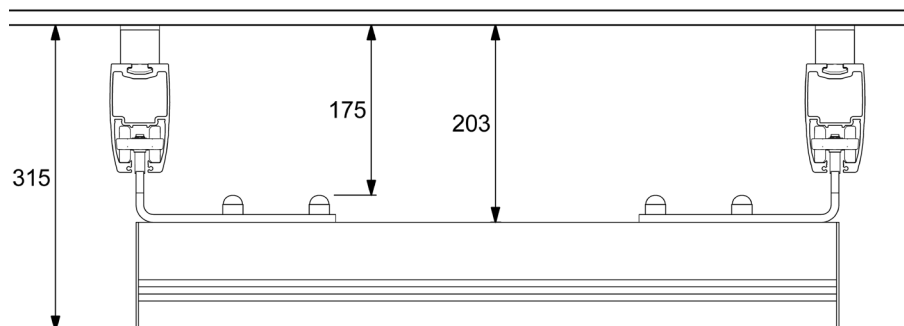
Type 15

- Rail H112
- Underhung rail H142
- Low traverse trolley
- 40 mm bracket



Type 16

- Rail H112
- Underhung rail H112
- Medium traverse trolley
- 40 mm bracket

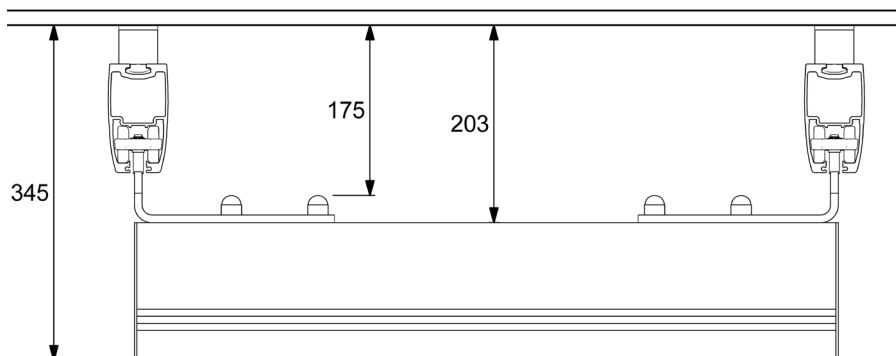


Rail combinations in area covering systems

Standard ceiling fixings - underhung

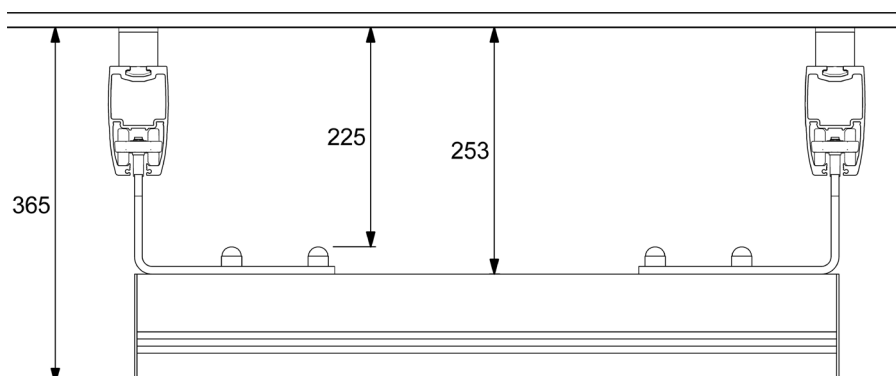
Type 17

- Rail H112
- Underhung rail H142
- Medium traverse trolley
- 40 mm bracket



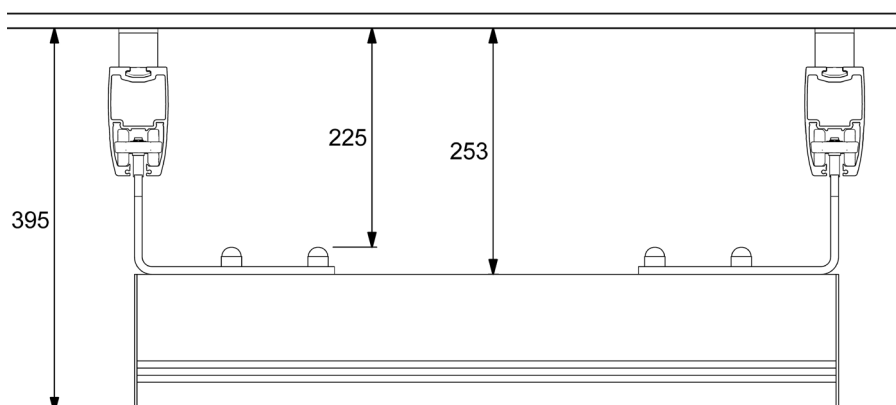
Type 18

- Rail H112
- Underhung rail H112
- High traverse trolley
- 40 mm bracket



Type 19

- Rail H112
- Underhung rail H142
- High traverse trolley
- 40 mm bracket



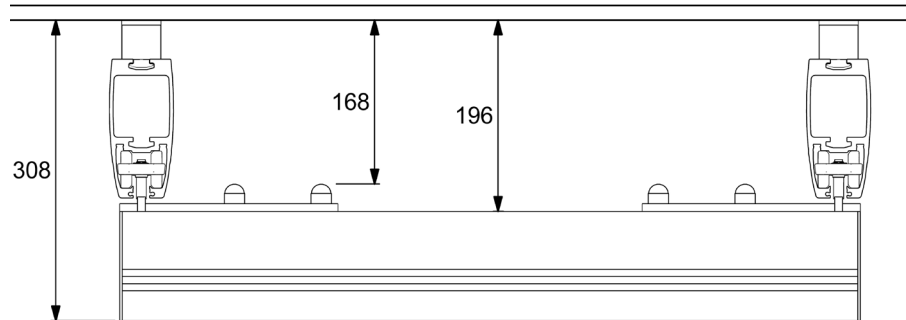


Rail combinations in area covering systems

Standard ceiling fixings - underhung

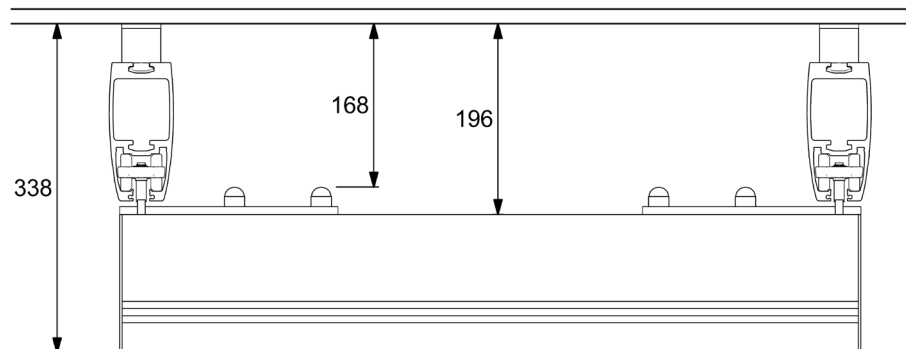
Type 20

- Rail H142
- Underhung rail H112
- Low traverse trolley
- 40 mm bracket



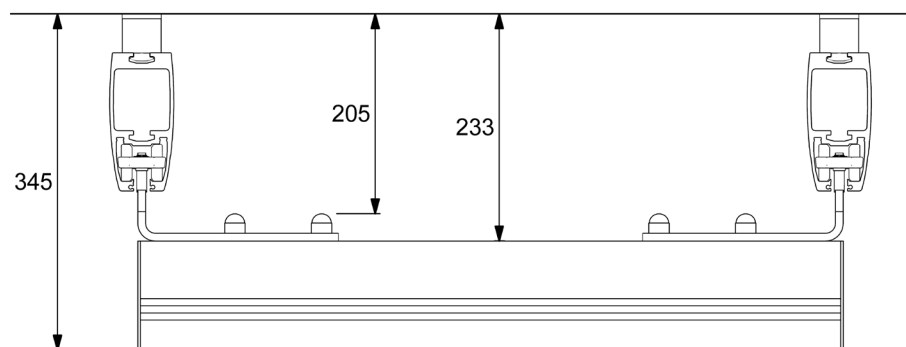
Type 21

- Rail H142
- Underhung rail H142
- Low traverse trolley
- 40 mm bracket



Type 22

- Rail H142
- Underhung rail H112
- Medium traverse trolley
- 40 mm bracket

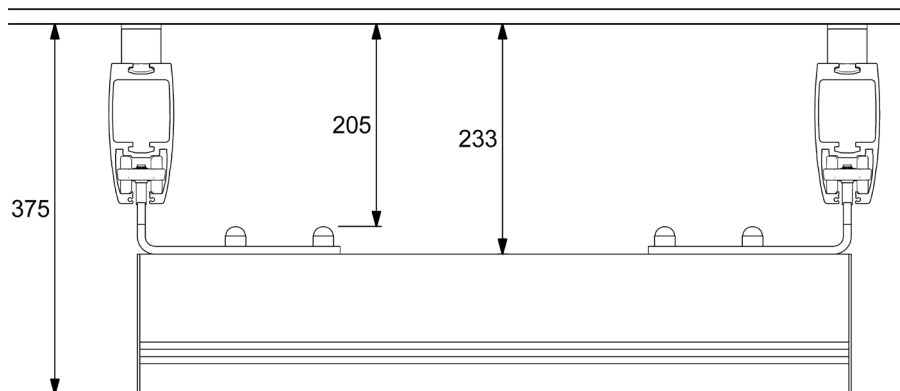


Rail combinations in area covering systems

Standard ceiling fixings - underhung

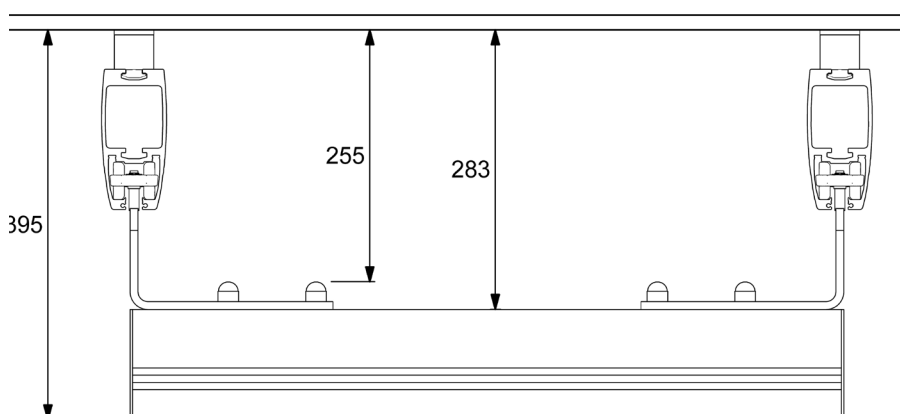
Type 23

- Rail H142
- Underhung rail H142
- Medium traverse trolley
- 40 mm bracket



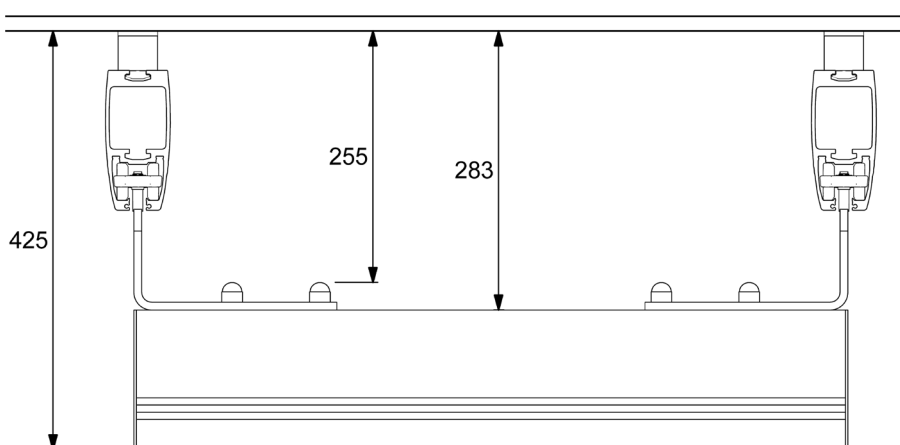
Type 24

- Rail H142
- Underhung rail H112
- High traverse trolley
- 40 mm bracket



Type 25

- Rail H142
- Underhung rail H142
- High traverse trolley
- 40 mm bracket



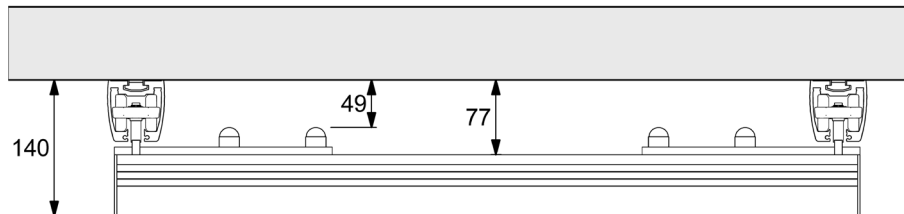


Rail combinations in area covering systems

Directly against ceiling - underhung

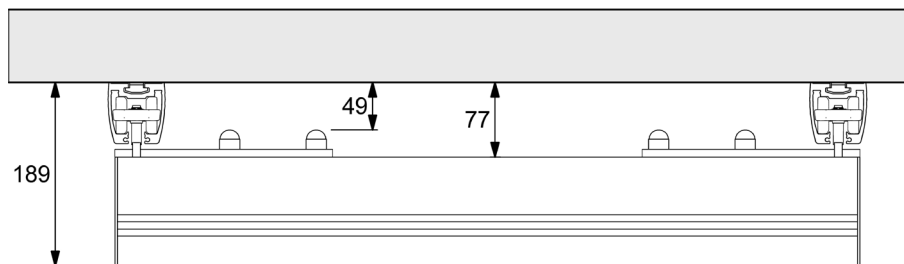
Type 26

- Rail H62
- Underhung rail H62
- Low traverse trolley



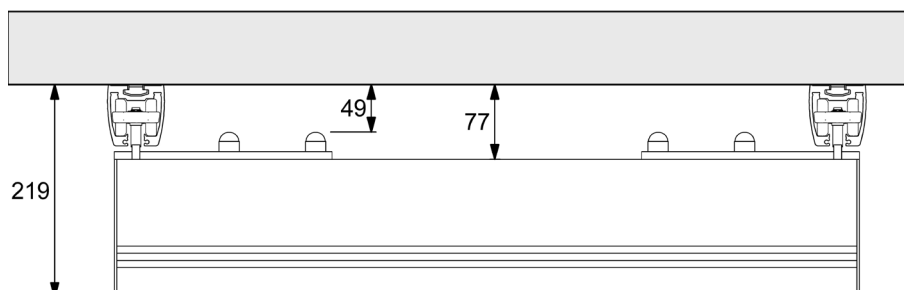
Type 27

- Rail H62
- Underhung rail H112
- Low traverse trolley



Type 28

- Rail H62
- Underhung rail H142
- Low traverse trolley

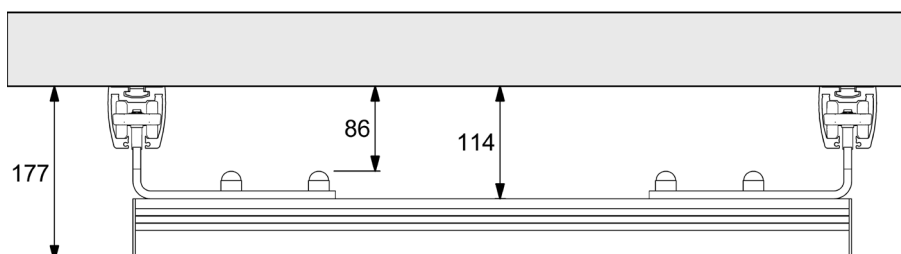


Rail combinations in area covering systems

Directly against ceiling - underhung

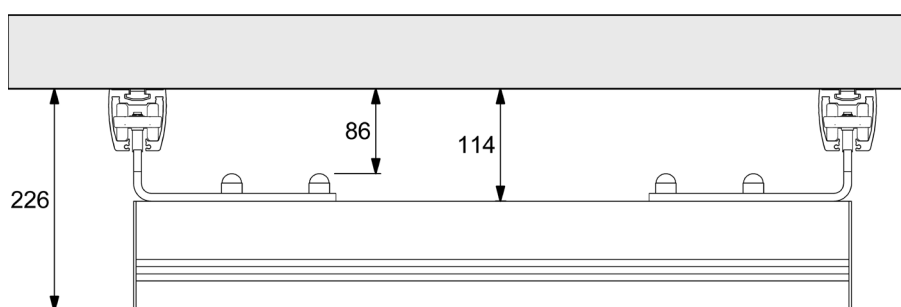
Type 29

- Rail H62
- Underhung rail H62
- Medium traverse trolley



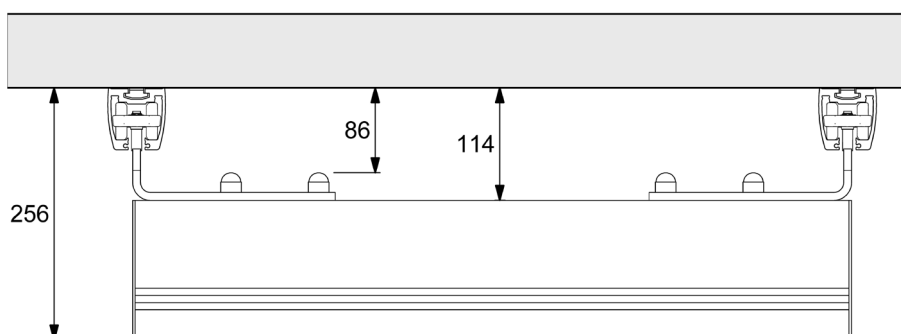
Type 30

- Rail H62
- Underhung rail H112
- Medium traverse trolley



Type 31

- Rail H62
- Underhung rail H142.
- Medium traverse trolley



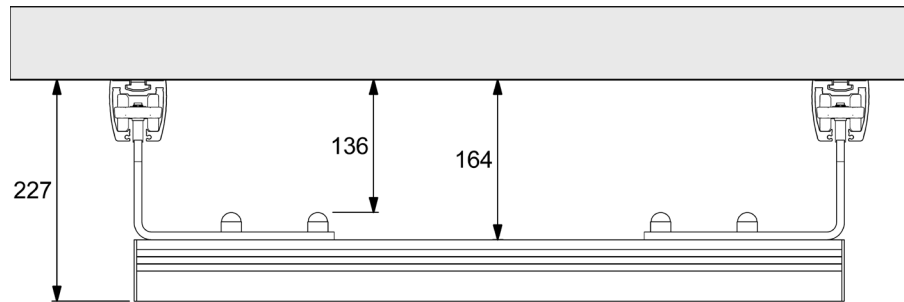


Rail combinations in area covering systems

Directly against ceiling - underhung

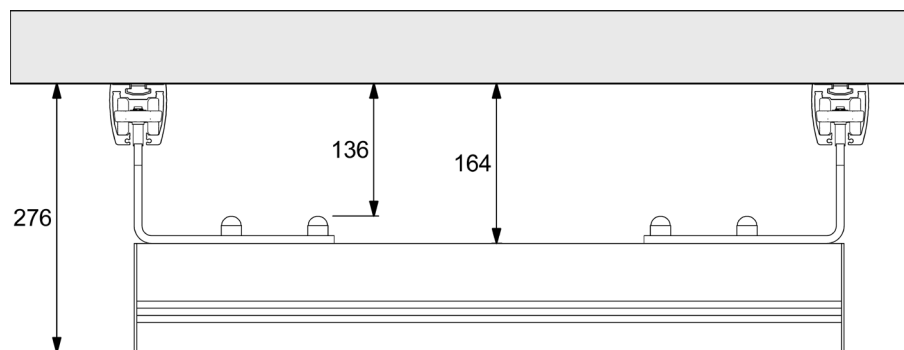
Type 32

- Rail H62
- Underhung rail H62
- High traverse trolley



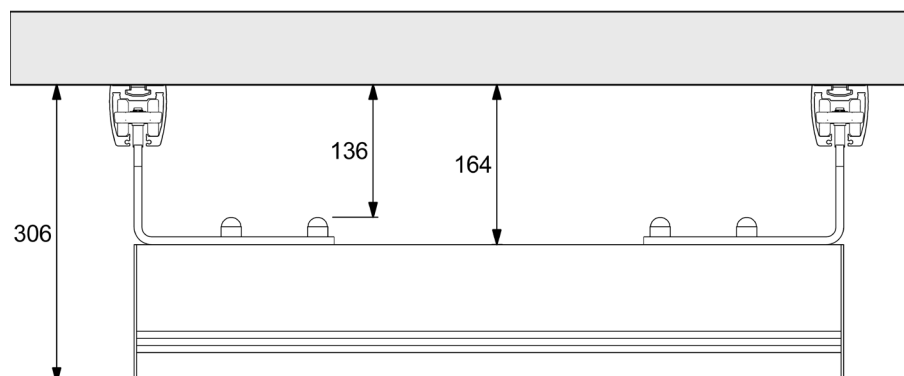
Type 33

- Rail H62
- Underhung rail H112
- High traverse trolley



Type 34

- Rail H62
- Underhung rail H142
- High traverse trolley

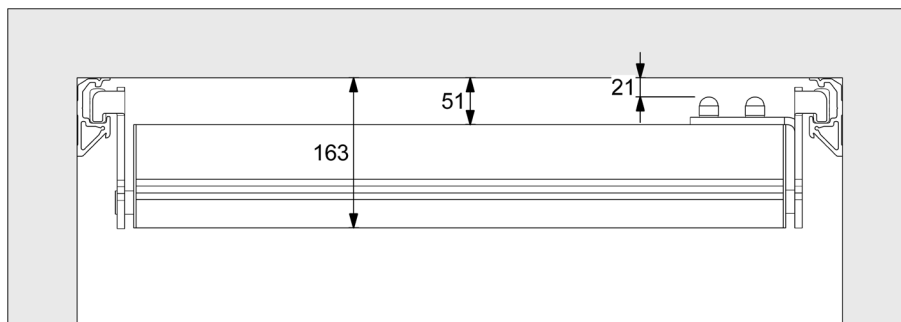


Rail combinations in area covering systems

Wall rail directly on wall

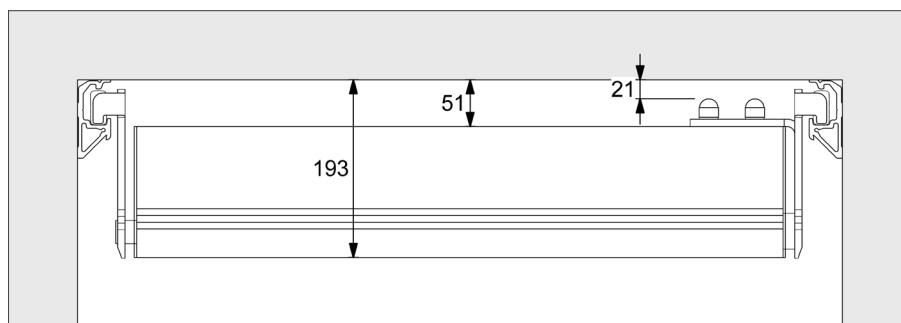
Type 35

- Rail H85 W
- Underhung rail H112
- Telescopic traverse trolley.



Type 36

- Rail H85 W
- Underhung rail H142
- Telescopic traverse trolley.



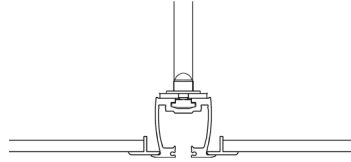


Rail combinations in area covering systems

Embedded in ceiling

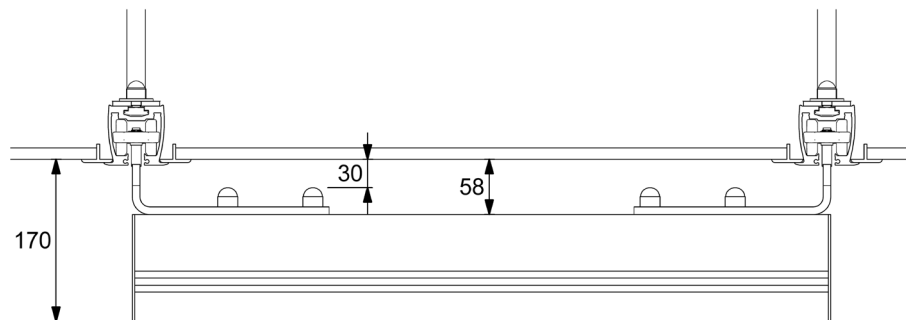
Type 37

- Rail H62 (CC)
- Single rail system
inset flush with ceiling.



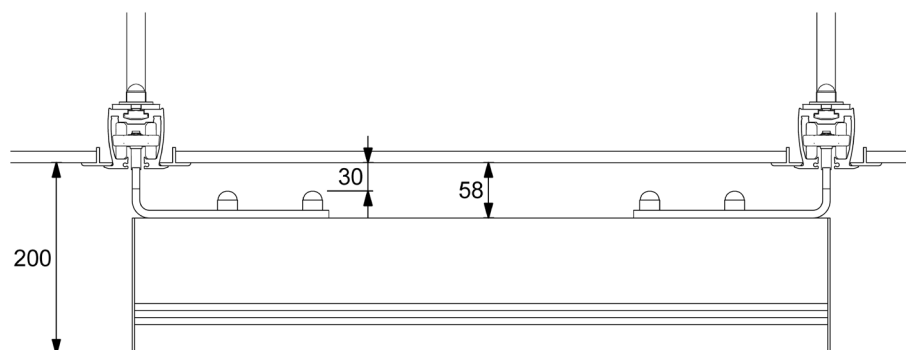
Type 38

- Rail H62, inset flush with ceiling
- Underhung rail H112
- Medium traverse trolley



Type 39

- Rail H62, inset flush with ceiling
- Underhung rail H142
- Medium traverse trolley

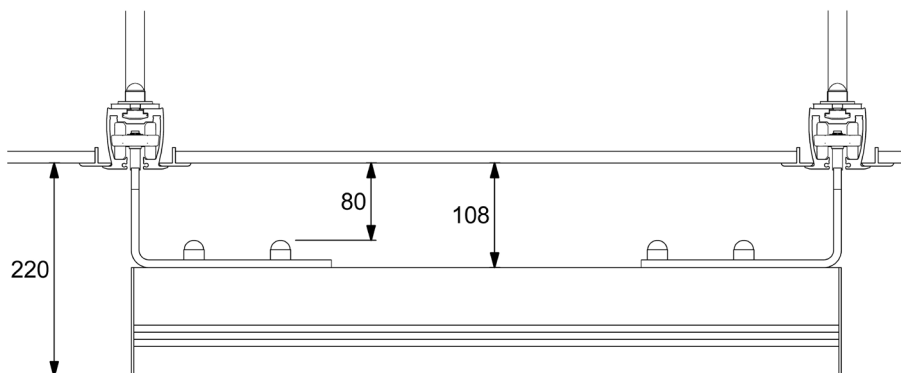


Rail combinations in area covering systems

Embedded in ceiling

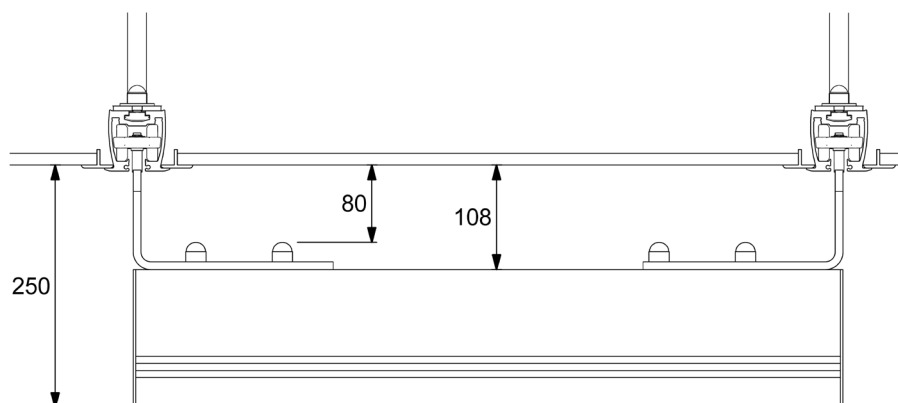
Type 40

- Rail H62, inset flush with ceiling
- Underhung rail H112
- High traverse trolley



Type 41

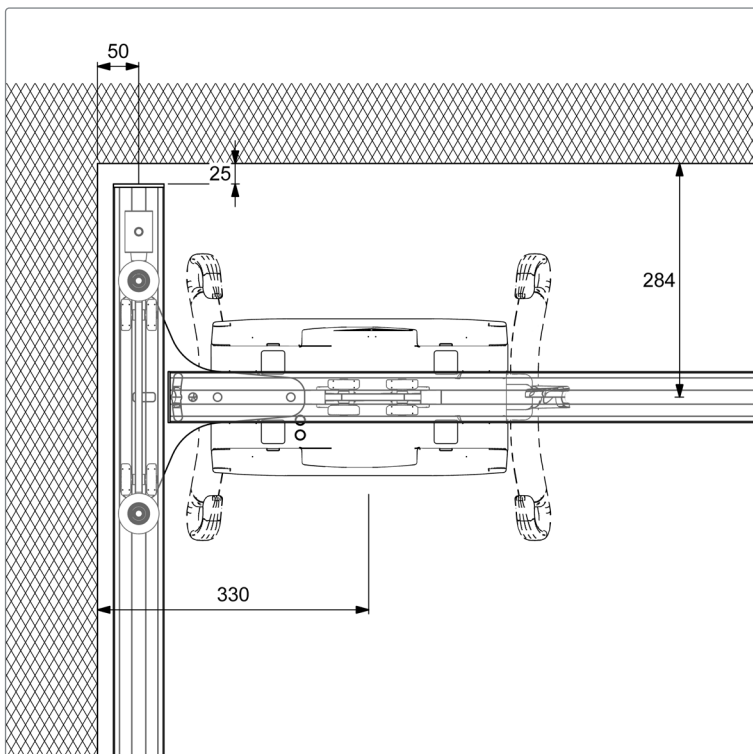
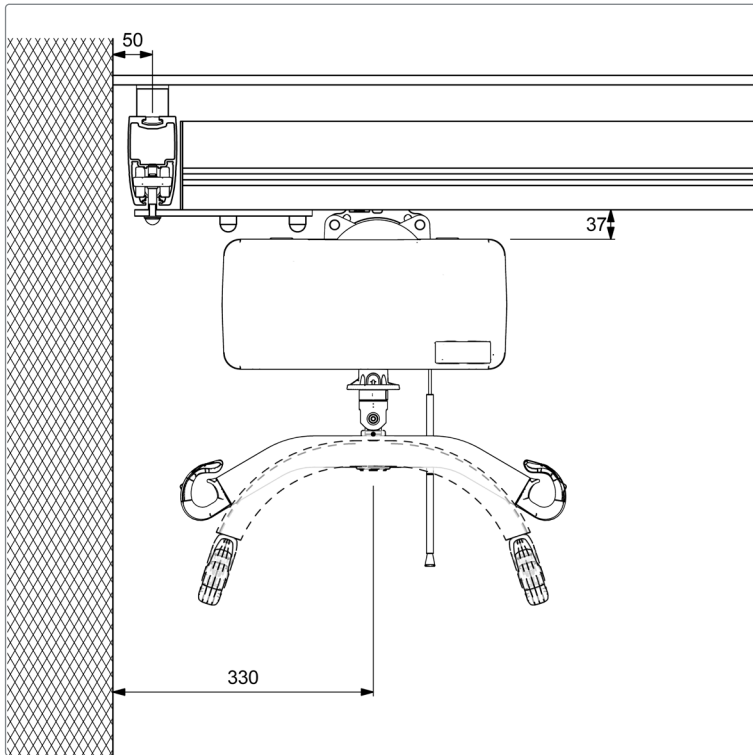
- Rail H62, inset flush with ceiling
- Underhung rail H142
- High traverse trolley





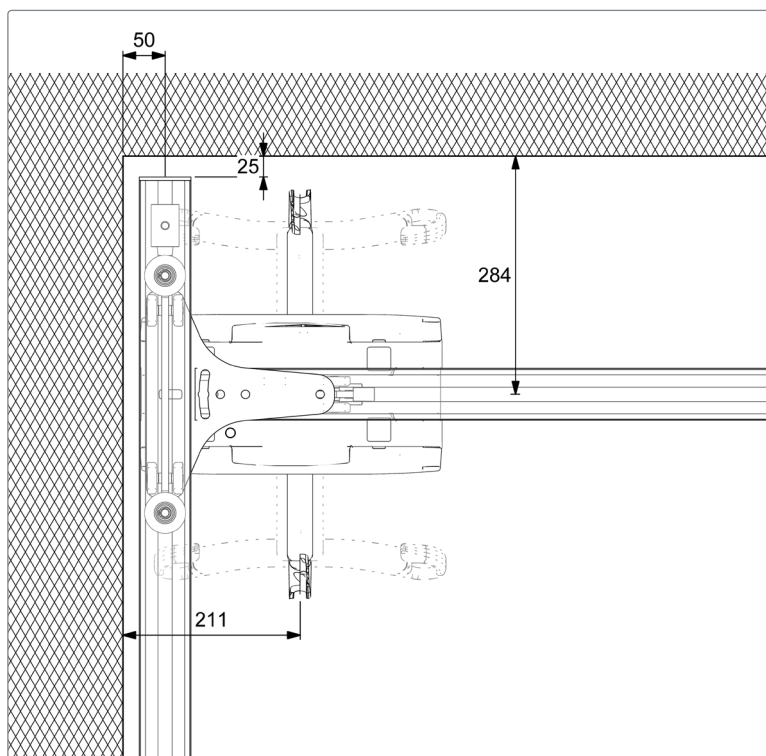
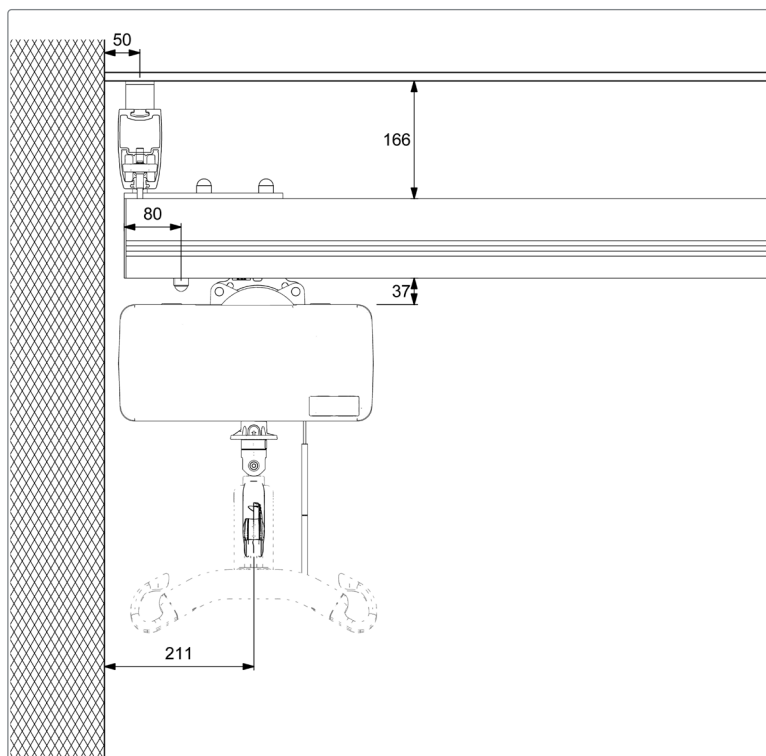
Outer hoisting point

Traverse rail



Outer hoisting point

Underhung traverse rail



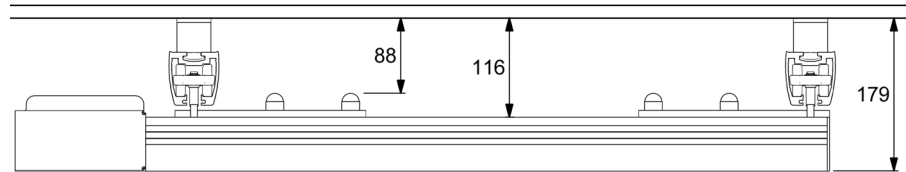


Rail combinations in coupling systems

Standard ceiling fixings - underhung

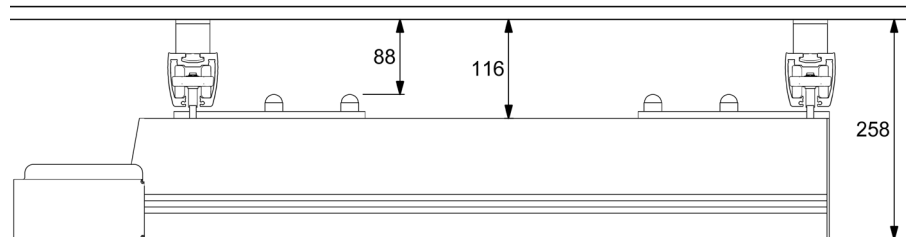
Type 42

- Rail H62
- Underhung rail H62
- Low traverse trolley
- 40 mm bracket



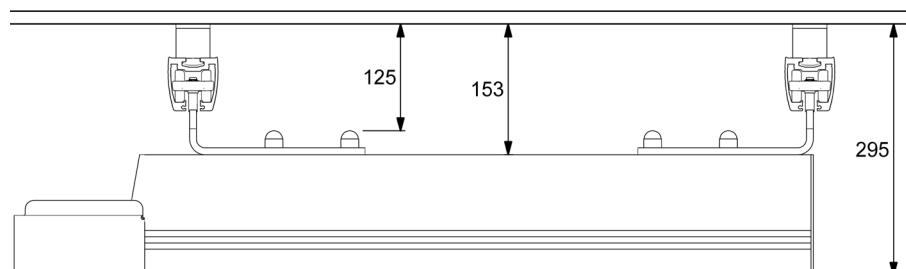
Type 43

- Rail H62
- Underhung rail H142
- Low traverse trolley
- 40 mm bracket



Type 44

- Rail H62
- Underhung rail H142
- Medium traverse trolley
- 40 mm bracket

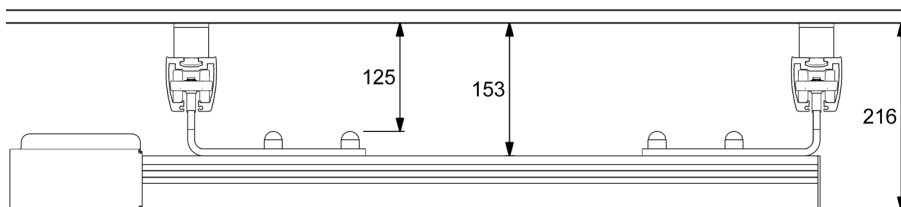


Rail combinations in coupling systems

Standard ceiling fixings - underhung

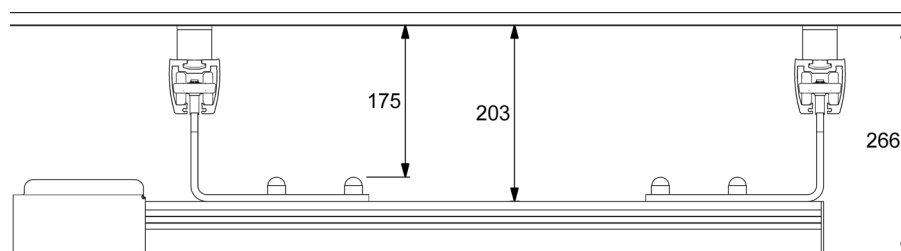
Type 45

- Rail H62
- Underhung rail H62
- Medium traverse trolley
- 40 mm bracket



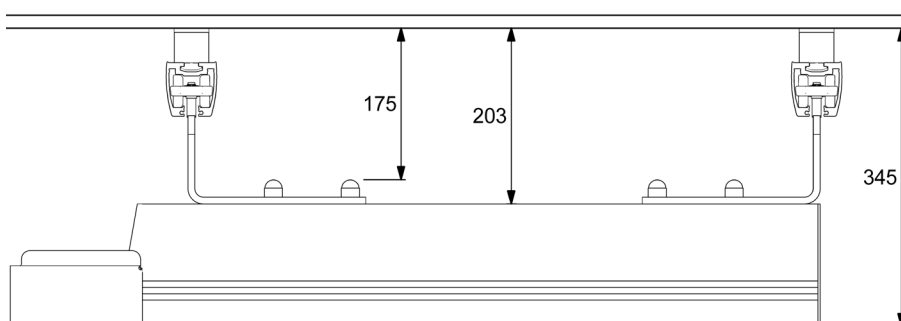
Type 46

- Rail H62
- Underhung rail H62
- High traverse trolley
- 40 mm bracket



Type 47

- Rail H62
- Underhung rail H142
- High traverse trolley
- 40 mm bracket



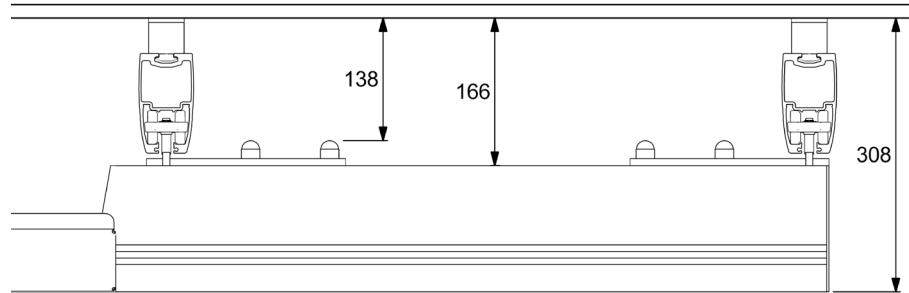


Rail combinations in coupling systems

Standard ceiling fixings - underhung

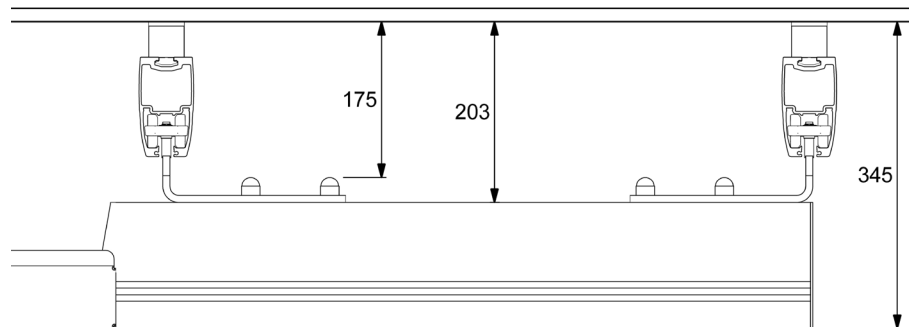
Type 48

- Rail H112
- Underhung rail H142
- Low traverse trolley
- 40 mm bracket



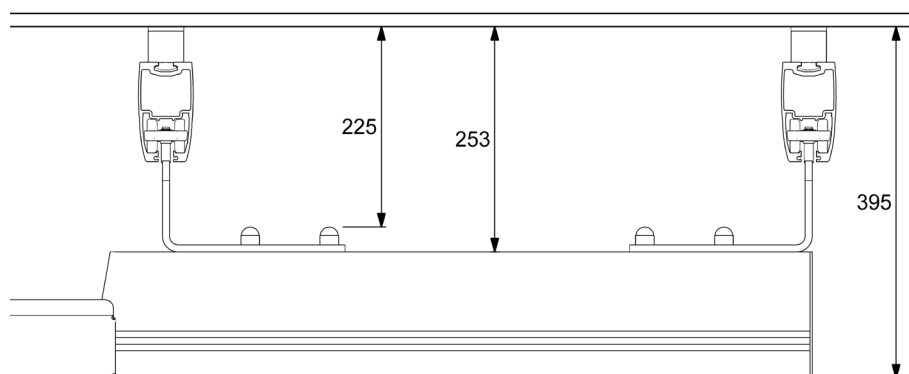
Type 49

- Rail H112
- Underhung rail H142
- Medium traverse trolley
- 40 mm bracket



Type 50

- Rail H112
- Underhung rail H142
- High traverse trolley
- 40 mm bracket

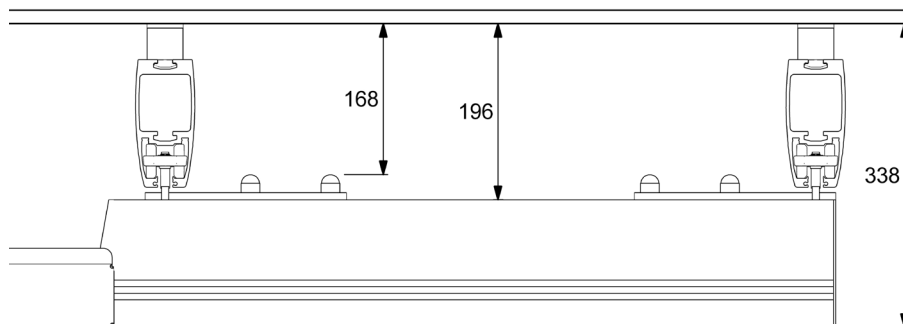


Rail combinations in coupling systems

Standard ceiling fixings - underhung

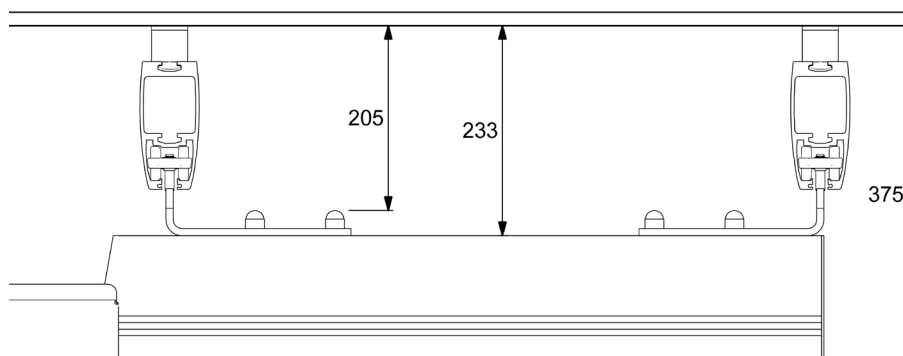
Type 51

- Rail H142
- Underhung rail H142
- Low traverse trolley
- 40 mm bracket



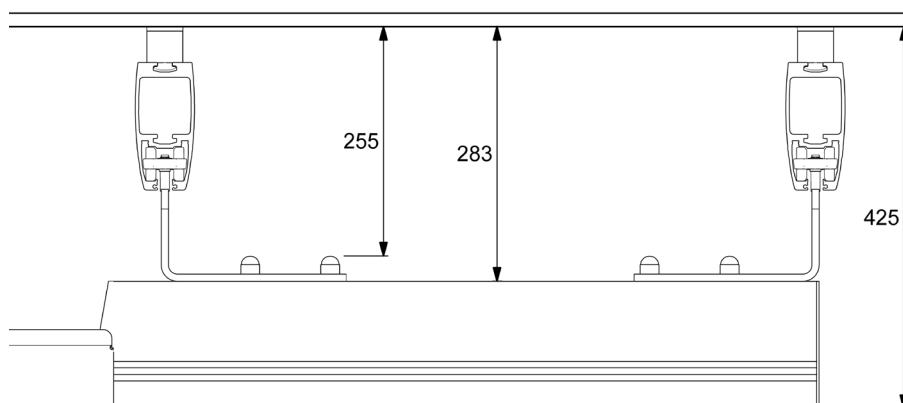
Type 52

- Rail H142
- Underhung rail H142
- Medium traverse trolley
- 40 mm bracket



Type 53

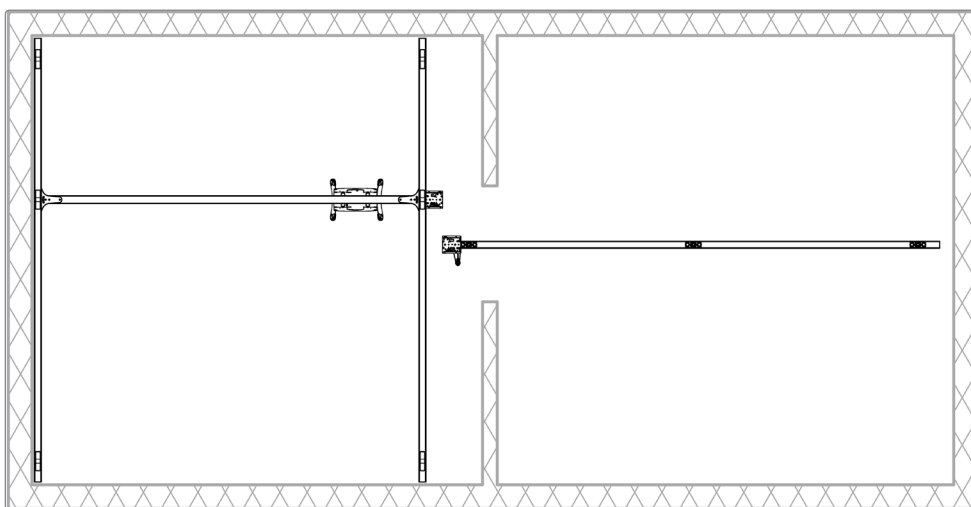
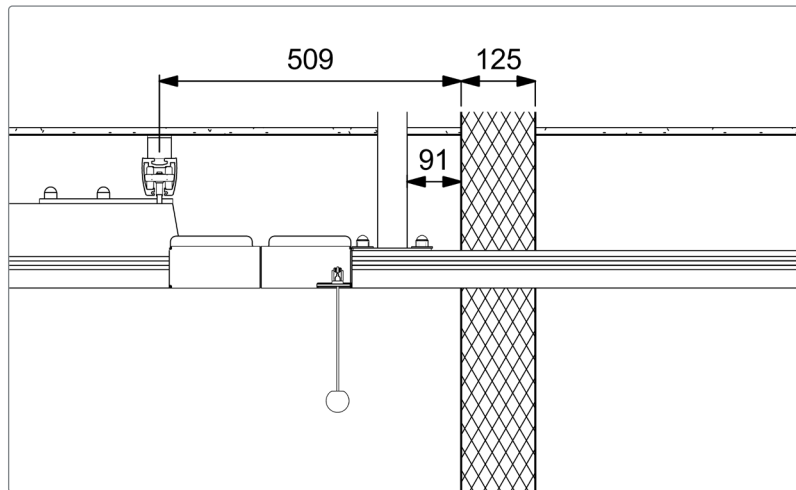
- Rail H142
- Underhung rail H142
- High traverse trolley
- 40 mm bracket





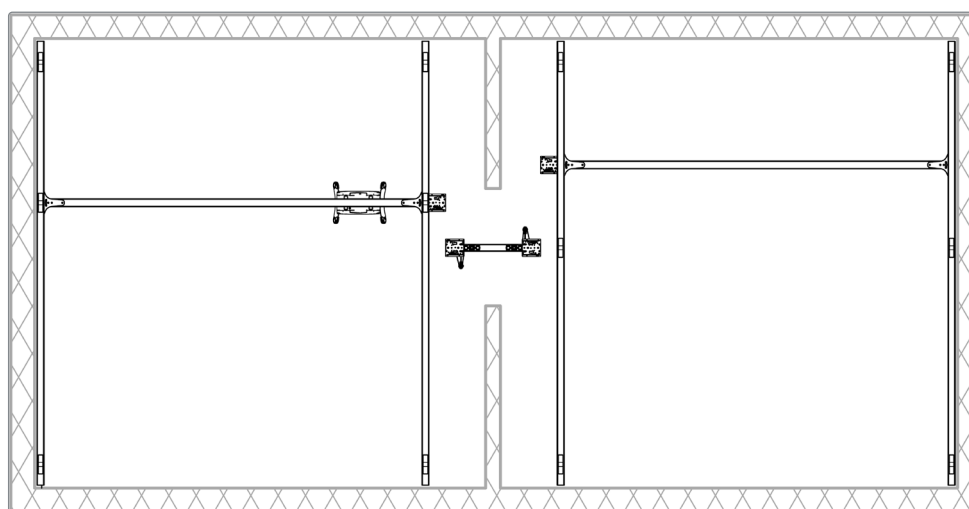
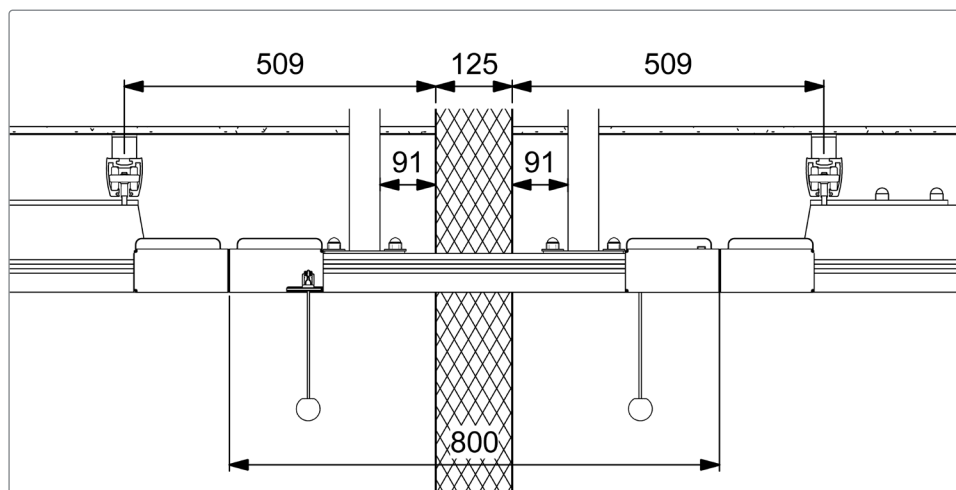
Technical drawing

Single coupling



Technical drawing

Double coupling





Technical drawing

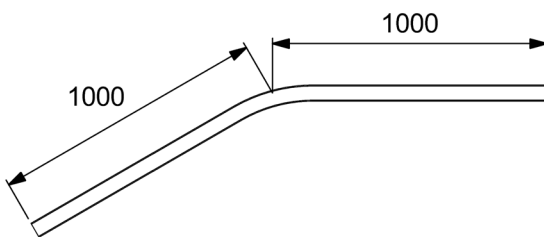
Curves, rail switch

Curved rails are used where a change in direction of a single track is required.

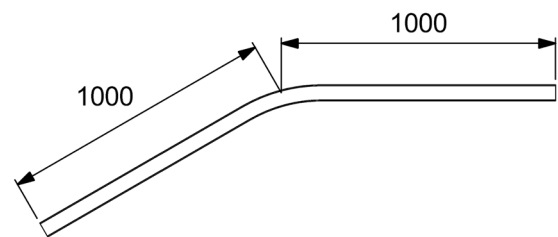
Standard curves are supplied in 30°, 45°, 60° and 90° angles.

As a minimum, three fixings must be used per curved rail - one fixing at each end of the curve and one in the middle of the curve.

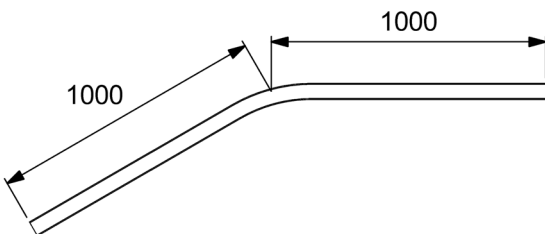
Curve 30°



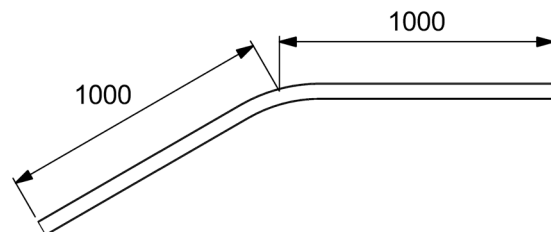
Curve 60°



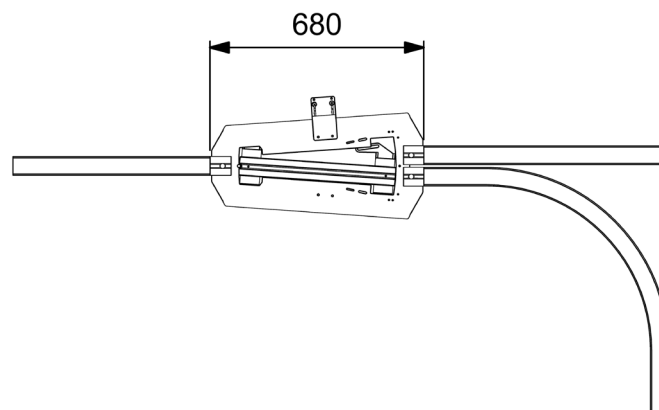
Curve 45°



Curve 90°



Rail switch



Passage through doorways

Sliding doors

Where a doorway track using coupling rail H62 is used, the door aperture and door must be made higher (than standard door height).

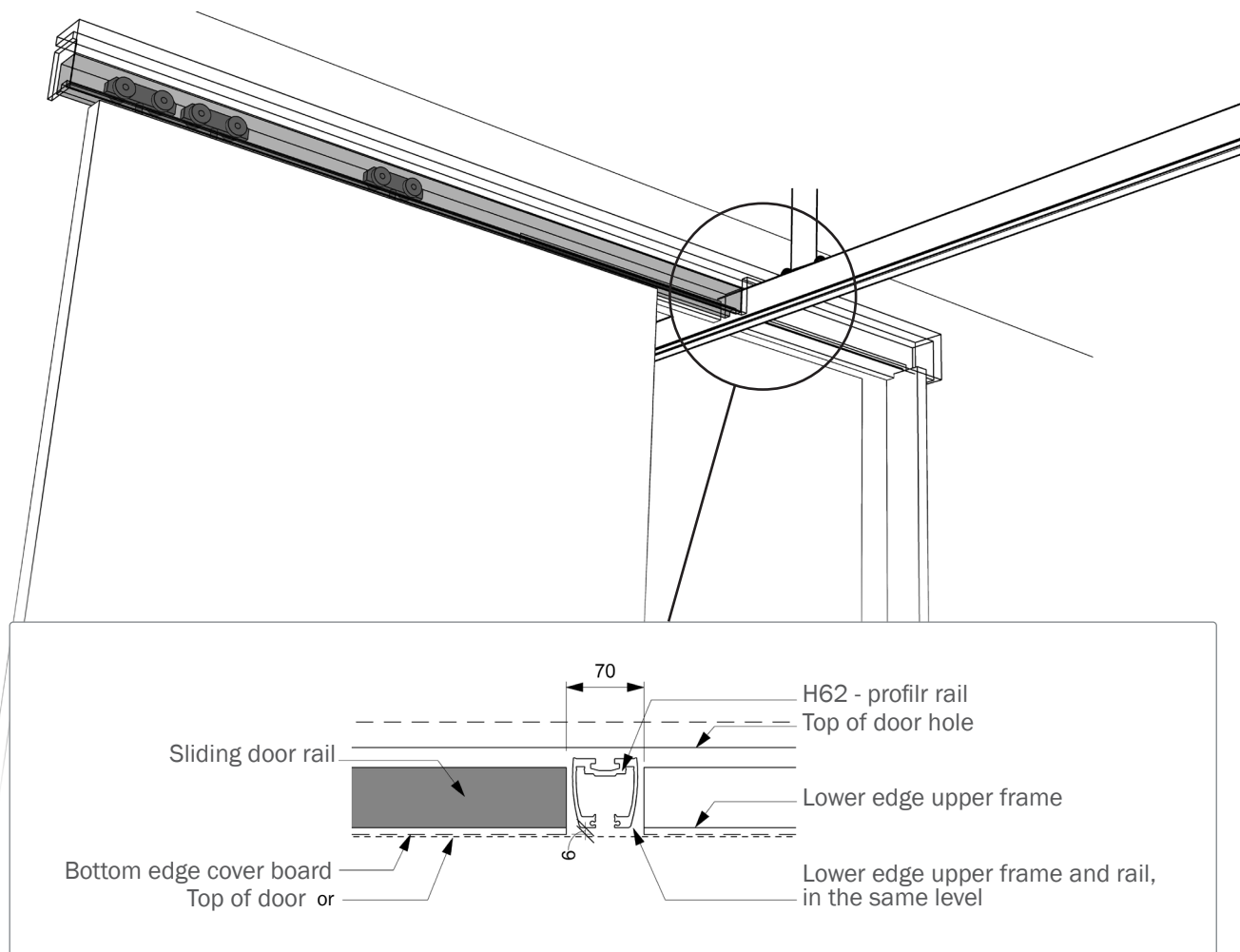
The height will vary from project to project depending on the finished ceiling height and the chosen combination of rail types (see dimensioned calculation of door aperture/door plate for sliding doors on p. 40).

Solution:

H62 rail will typically be installed at the centre of the door aperture; for this, the H62 rail will pass straight through the door header and the underside of the H62 rail will be mounted such that it is flush with the lower edge of the door header.

The sliding door rail will end against the H62 rail and be mounted in a 3-piece wheel suspension – the final wheel suspension will end just before the H62 rail and the remaining part of the sliding door will protrude freely - when using a 3-piece wheel suspension, this will be gripped by the top/bottom of the sliding door rail and thus travel easily in the rail without tipping.

When installing the sliding door sheath, this may not be more than 6 mm under the H62 rail, as it may otherwise prevent the free running of the hoist along its track.





Passage through doorway

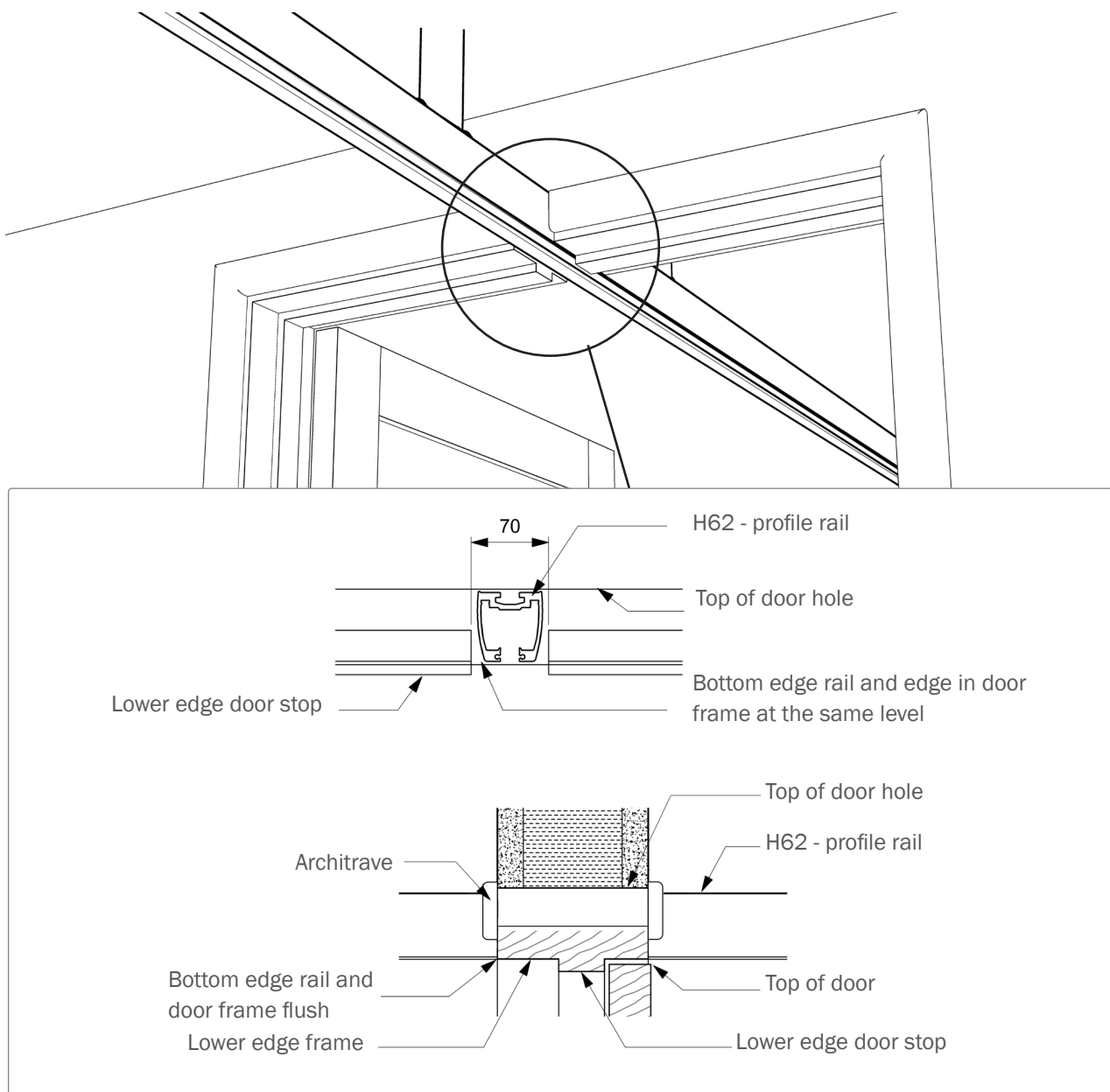
Side-hung door

Where a doorway track using coupling rail H62 is used, the door aperture and door must be made higher (than standard door height).

The height will vary from project to project depending on the finished ceiling height and the chosen combination of rail types (see dimensioned calculation of door aperture/door plate for side-hung doors on p. 41).

Solution:

H62 rail will typically be installed at the centre of the door aperture; for this, the H62 rail will pass straight through the door header and the underside of the H62 rail will be mounted such that it is flush with the lower edge of the door frame, and the door can close as normal.



Passage through doorway

Continuous traverse rail

Where rail systems pass between rooms, the continuous traverse rail across a wall/door will necessitate the adaptation of the door/wall.

The height will vary from project to project depending on the finished ceiling height and the chosen combination of rail types (see dimensioned calculation of the wall height for continuous traverse systems on p. 42).

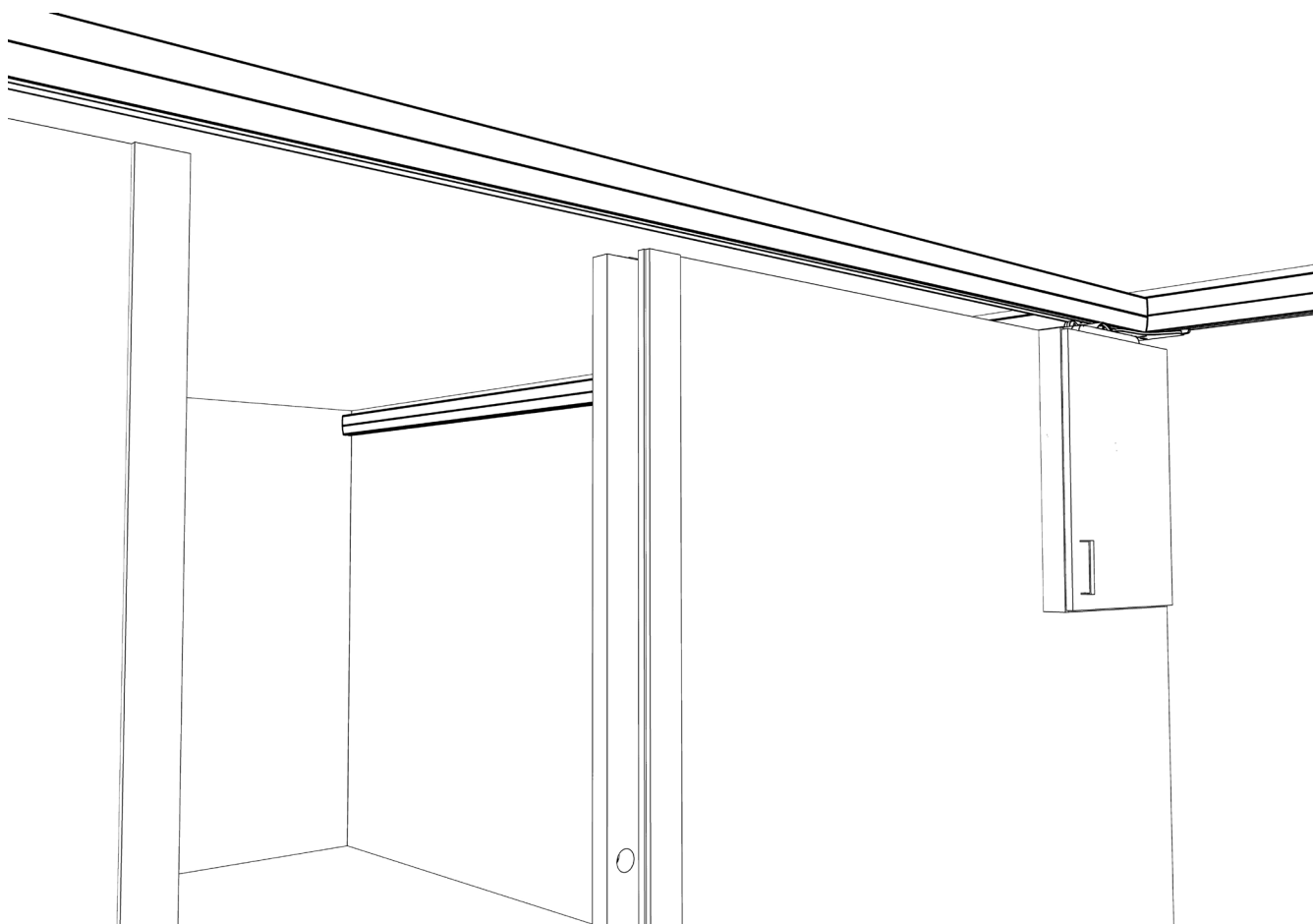
Solution:

Here, the moving traverse rail will typically be installed at a distance from the ceiling (allowing room for detectors, lamps and similar). The primary rails may be installed flush with the ceiling or under it.

For this solution, the final height of the wall will be adjusted to suit the above – such that there will be space across the wall for the moving traverse rail.

The height of doors will similarly be adjusted according to the above and the door solution may be integrated in the wall, or may be an externally placed solution. Neither can have a door header.

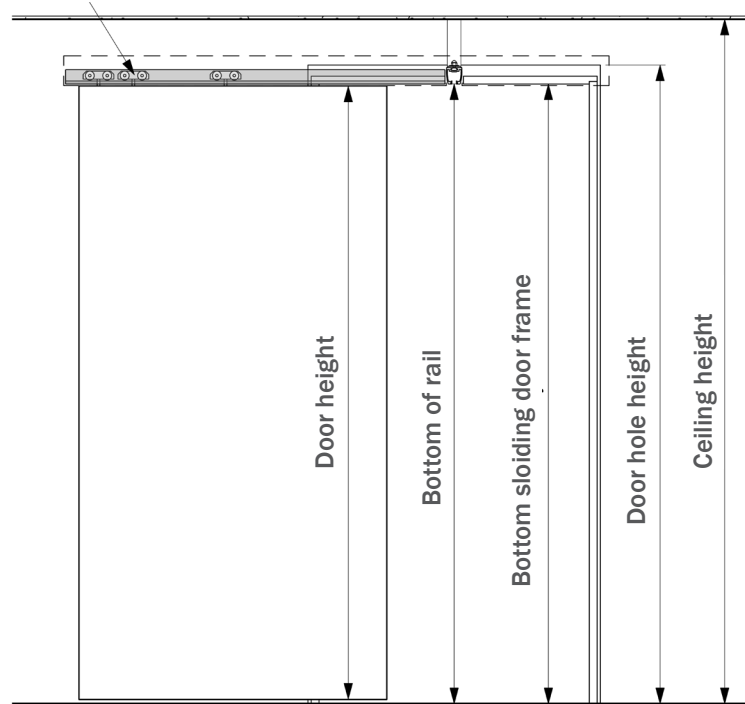
Typically, a moving traverse rail will be placed across the wall (and will thus be 'closed' off without an opening between the two rooms). This solution also allows for a cabinet to be built against the wall in which to park the hoist/sling bar and to store slings.





Calculating door aperture/door Sliding doors

Use 3 trolleys when installing sliding door



The above will give a door measurement of _____

Basis for the above:

- H62 rail measurement: Width: 59 mm, Height: 62 mm
- Ceiling height: Finished ceiling height
- Lower edge of H62 rail: Finished ceiling height, minus chosen combination type
- Upper side of H62 rail: Lower edge of H62 rail + H62 rail height
- Lower edge of door aperture: Upper edge of H62 rail + 10 mm

Door measurement:

For sliding door: Lower edge of H62 rail - 20 mm (allowing 10 mm tolerance at bottom/top)

Project: _____

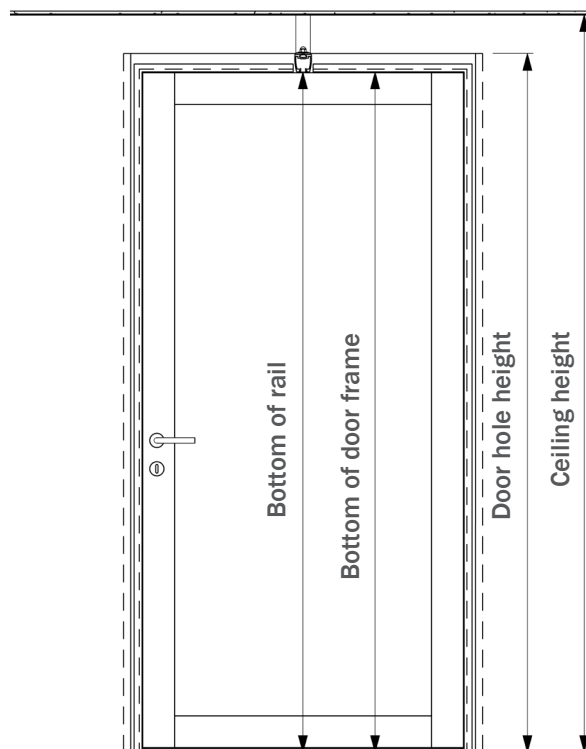
Rail combination: _____

Date: _____

Comments: _____

Calculating door aperture/door

Side-hung door



The above will give a door measurement of _____

Basis for the above:

- H62 rail measurement: Width: 59 mm, Height: 62 mm
- Ceiling height: Finished ceiling height
- Lower edge of H62 rail: Finished ceiling height, minus chosen rail combination type
- Upper side of H62 rail: Lower edge of H62 rail + H62 rail height
- Lower edge of door aperture: Upper edge of H62 rail + 10 mm

Door measurement:

For sliding door: Lower edge of H62 rail - 20 mm (allowing 10 mm tolerance at bottom/top)

Project: _____

Rail combination: _____

Date: _____

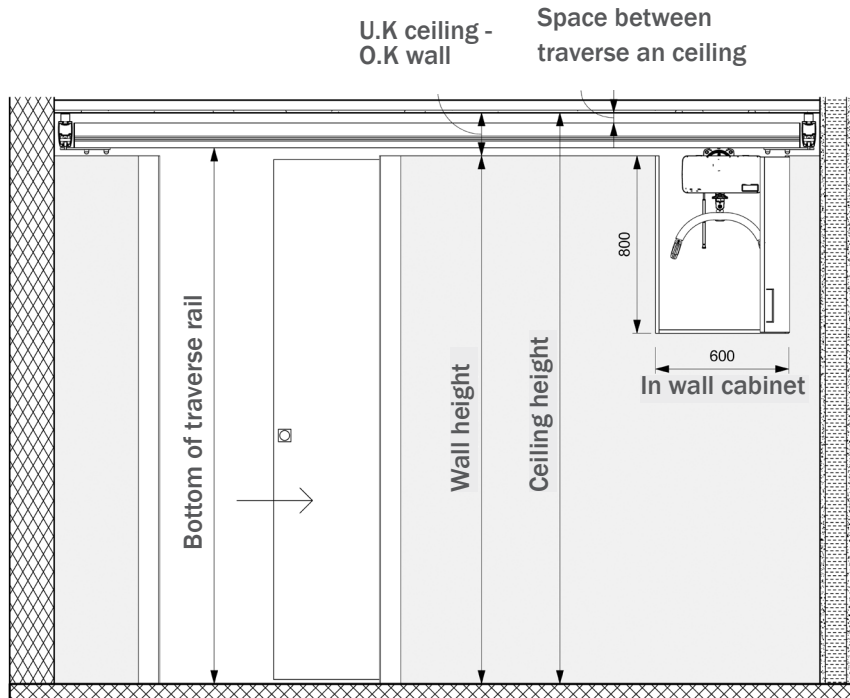
Comments: _____



Calculation of wall height

Continuous traverse system

Elevation for solution –
for adding measurements.



Basis for the above:

Rail combination: _____

Finished ceiling height: _____

Height of traverse rail: _____

Free space above traverse rail: _____

Free space beneath traverse rail: _____

Measurements from UK. Ceiling – OK. Wall: _____

Measurements of cabinet: _____ (Measurements are for guidance only, and can change)

Wall height: _____ (Be aware of possible uneven places/drop in floor)

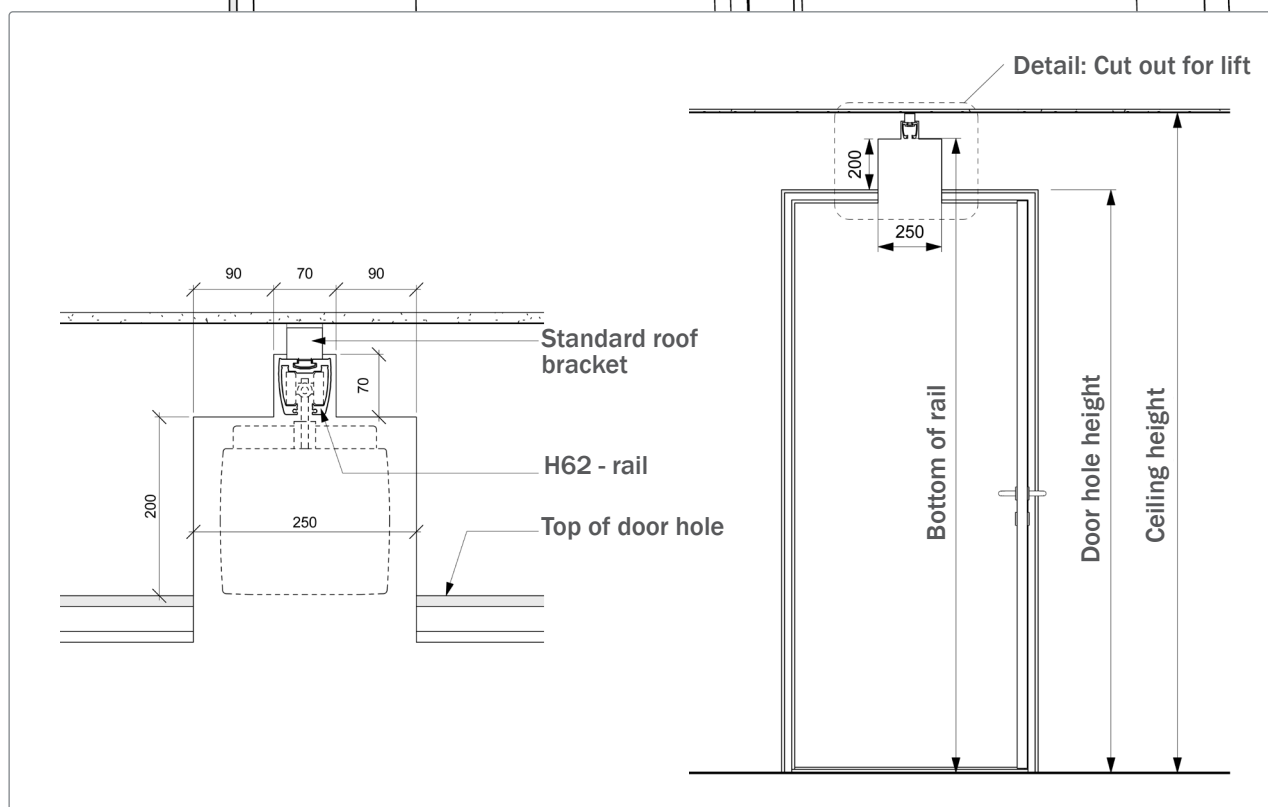
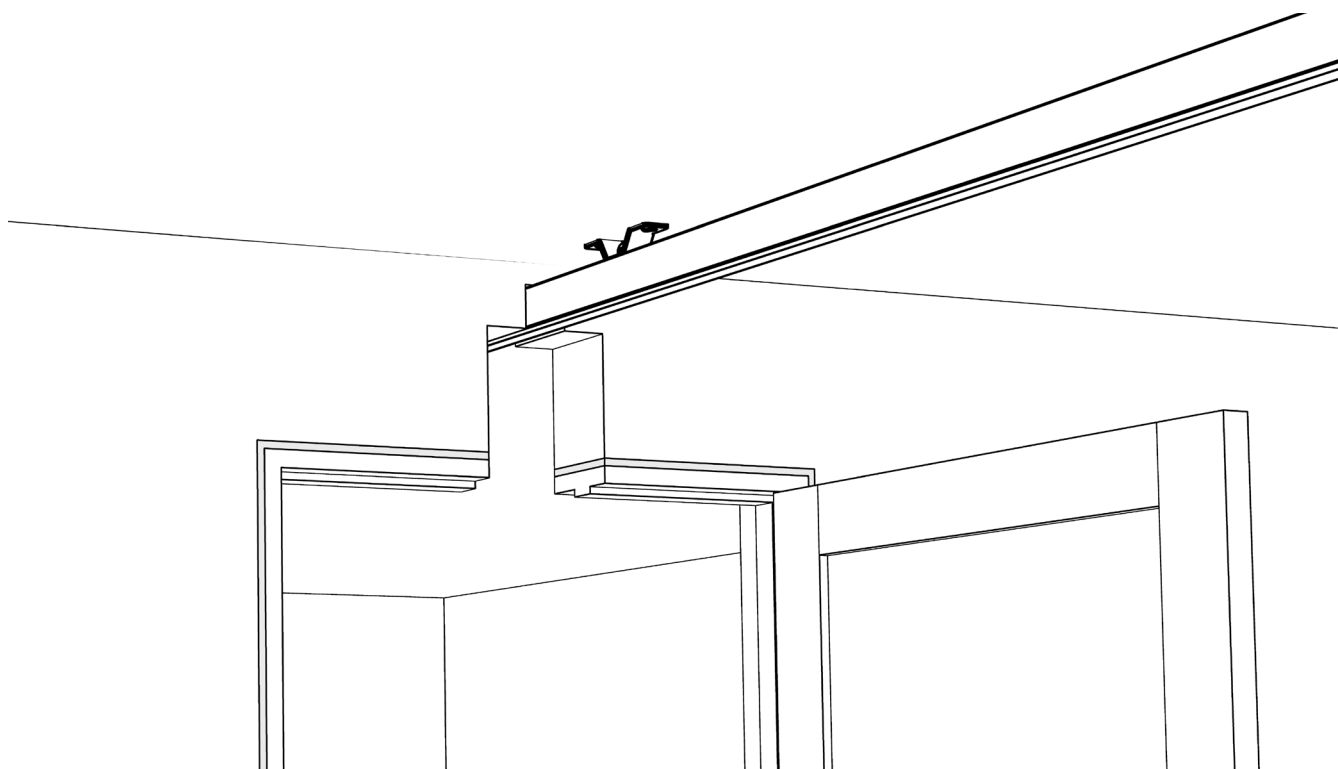
Project: _____

Rail combination: _____

Date: _____

Comments: _____

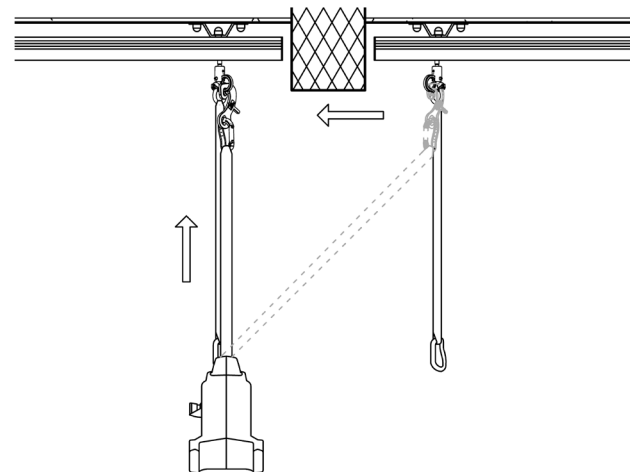
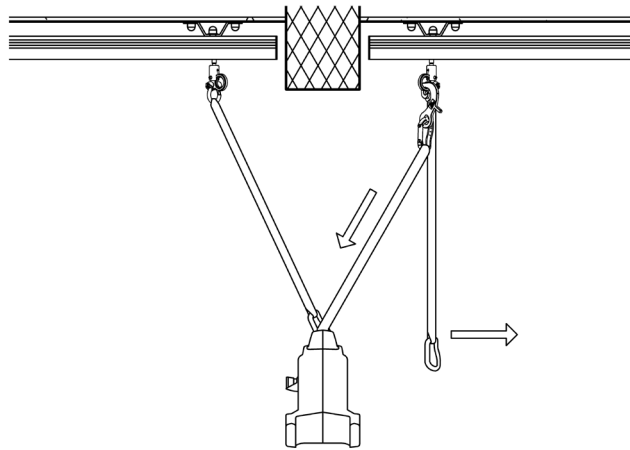
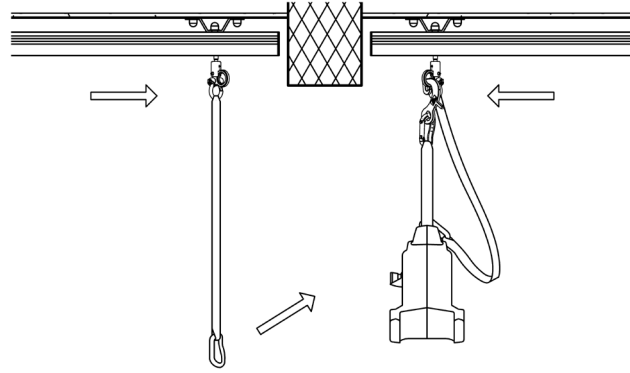
Wall gap for hoist





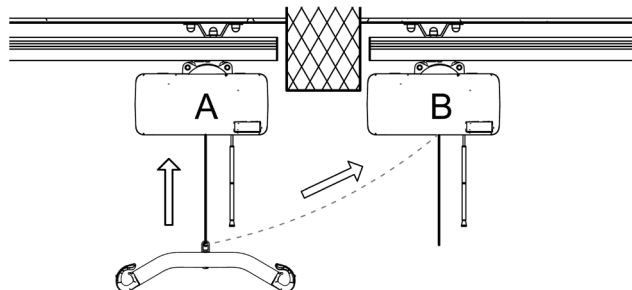
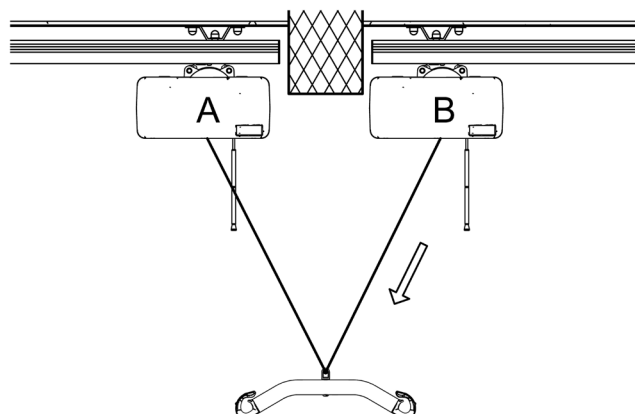
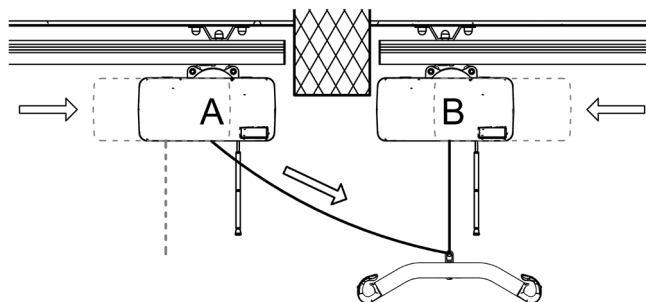
Swing solution

Molift Nomad



Swing solution

Molift Air





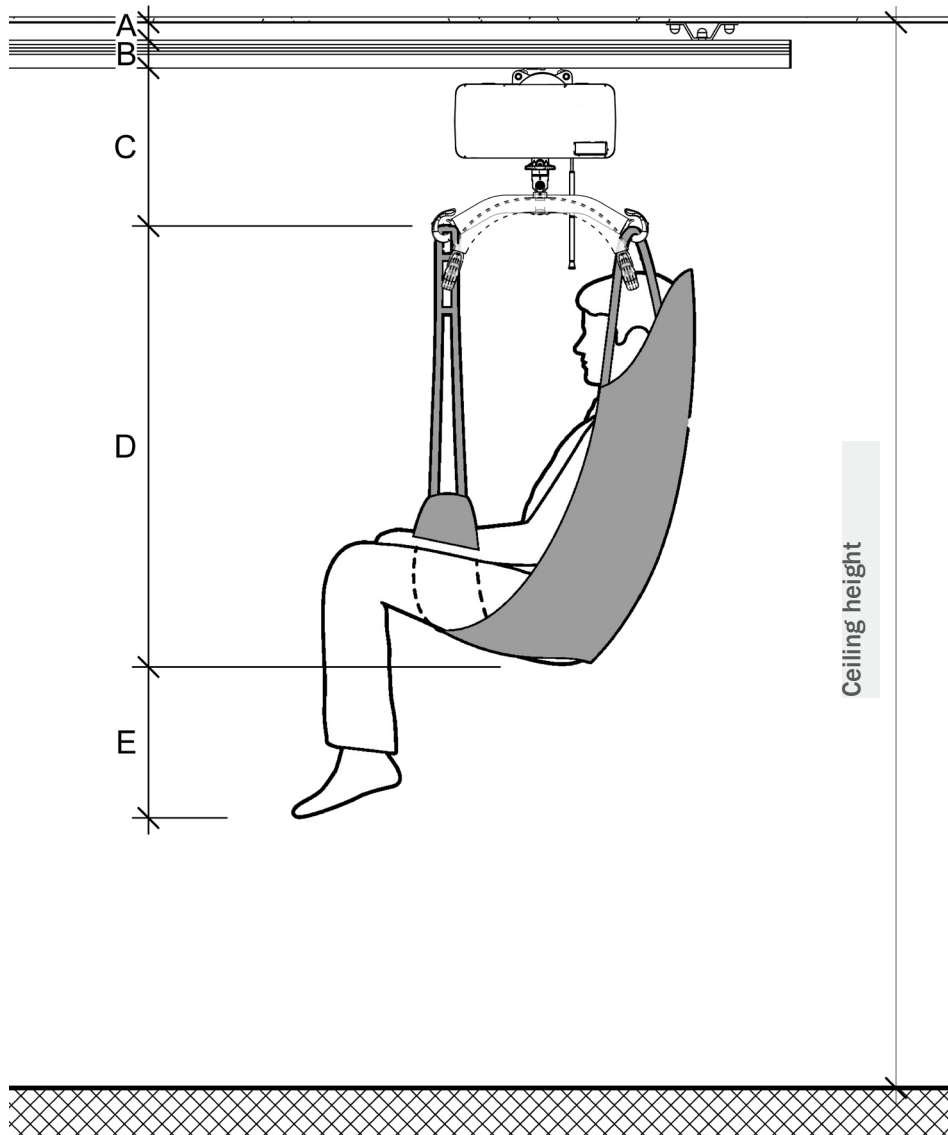
Dimensioned sketch

Molift Air with sling

Schematic drawing with dimensions. Showing person in Molift Evosling MediumBack sling, size Medium.

Measurements

A: Standard ceiling fixing	40 mm
B: H62/H112/H142 rails	62/112/142 mm
C: UK. rail - to fixing point	385 mm/475 mm
D: Evosling MediumBack sling, size: M	980 mm
E: Evosling MediumBack sling, size: M	340 mm



Fixings

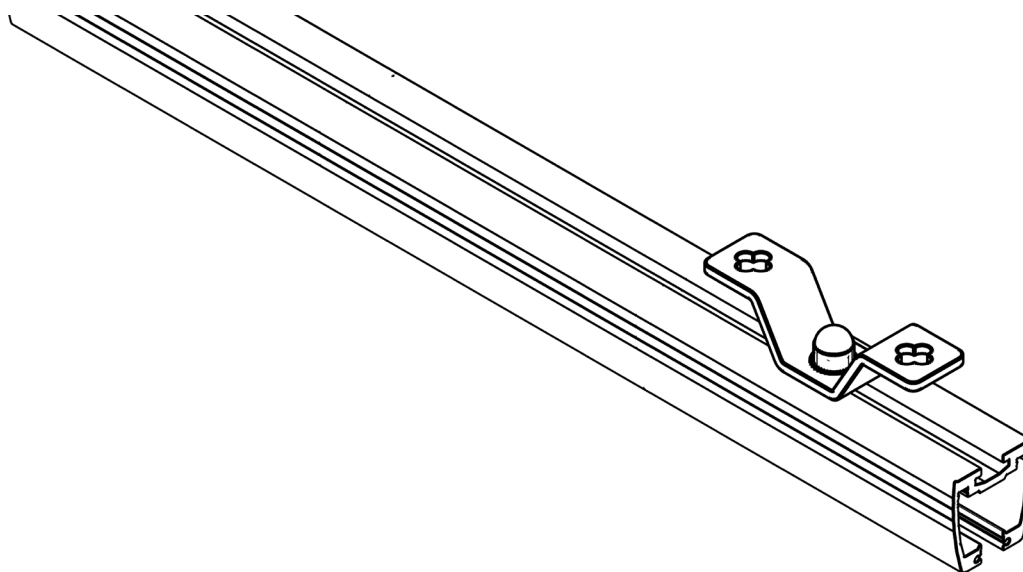
Ceiling

Standard ceiling fixing

Standard ceiling fixings are used for installations where the rail must run as close to the ceiling as possible.

Ceiling fixings can be installed on all types of ceiling including concrete, hollow-core concrete and wood.

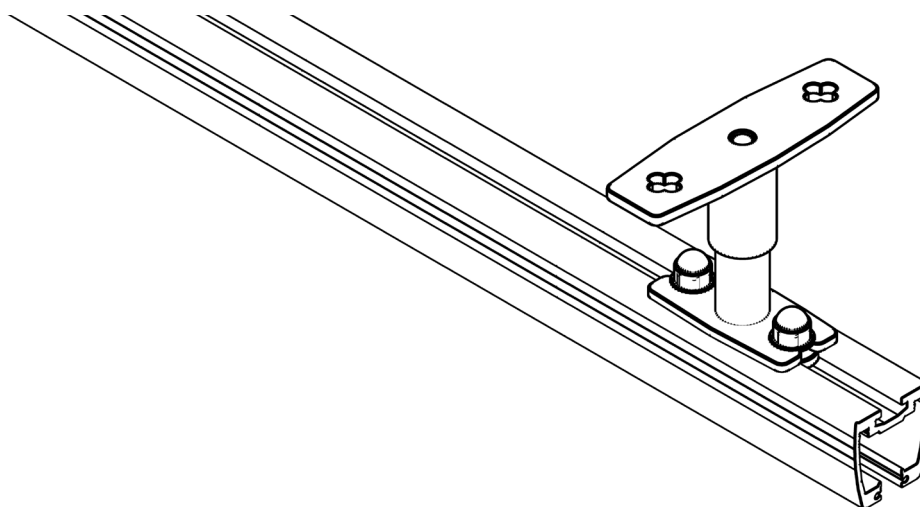
Ceiling fixings are attached to the ceiling with two reinforcing pieces.



Adjustable telescopic ceiling fixing

Telescopic ceiling fixings are used when the rails must be slightly further away from the ceiling. The fixings can be adjusted between 65 – 200 mm.

Telescopic fixings are attached to the ceiling using two reinforcing pieces.





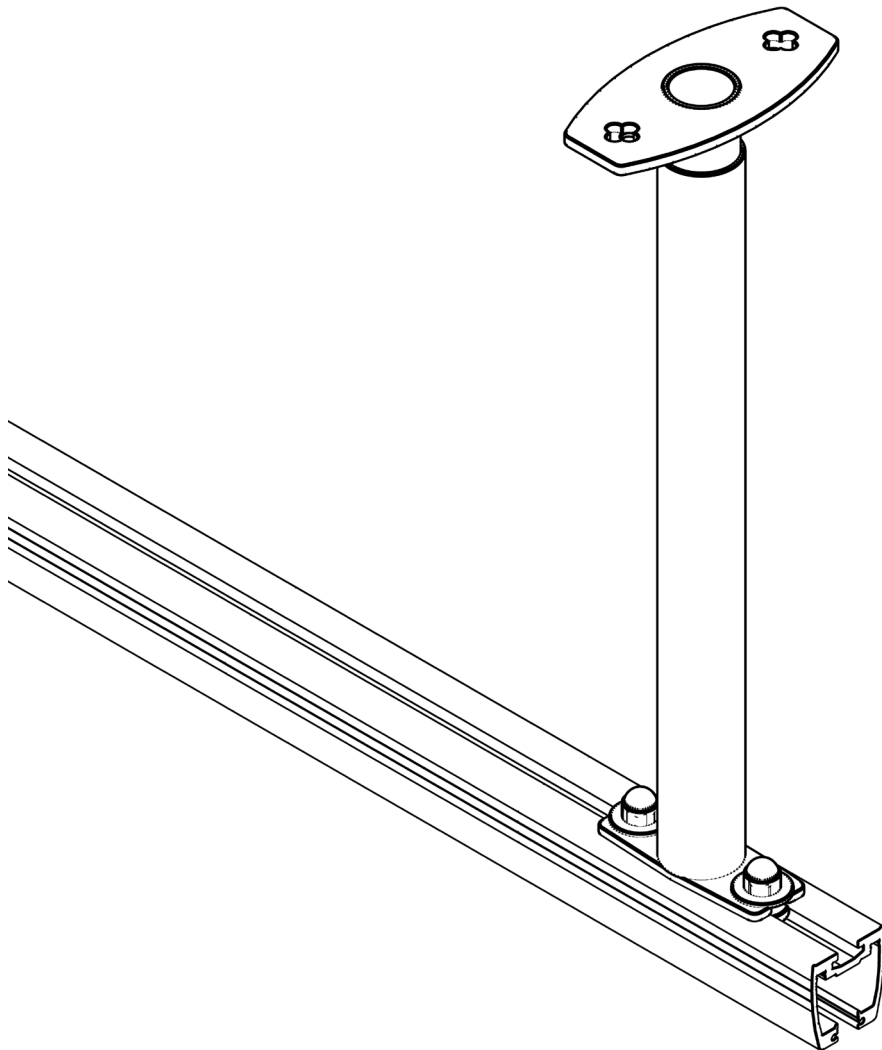
Fixings

Ceiling

Suspended adjustable telescopic ceiling fixing

Suspended telescopic ceiling fixings are typically used in rooms with high ceilings, so that for instance the rail can be placed under the suspended ceiling or simply at the normal installation and usage height. The fixings can be adjusted between 190 - 2000 mm.

Suspended telescopic fixings are attached to the ceiling with two reinforcing pieces.



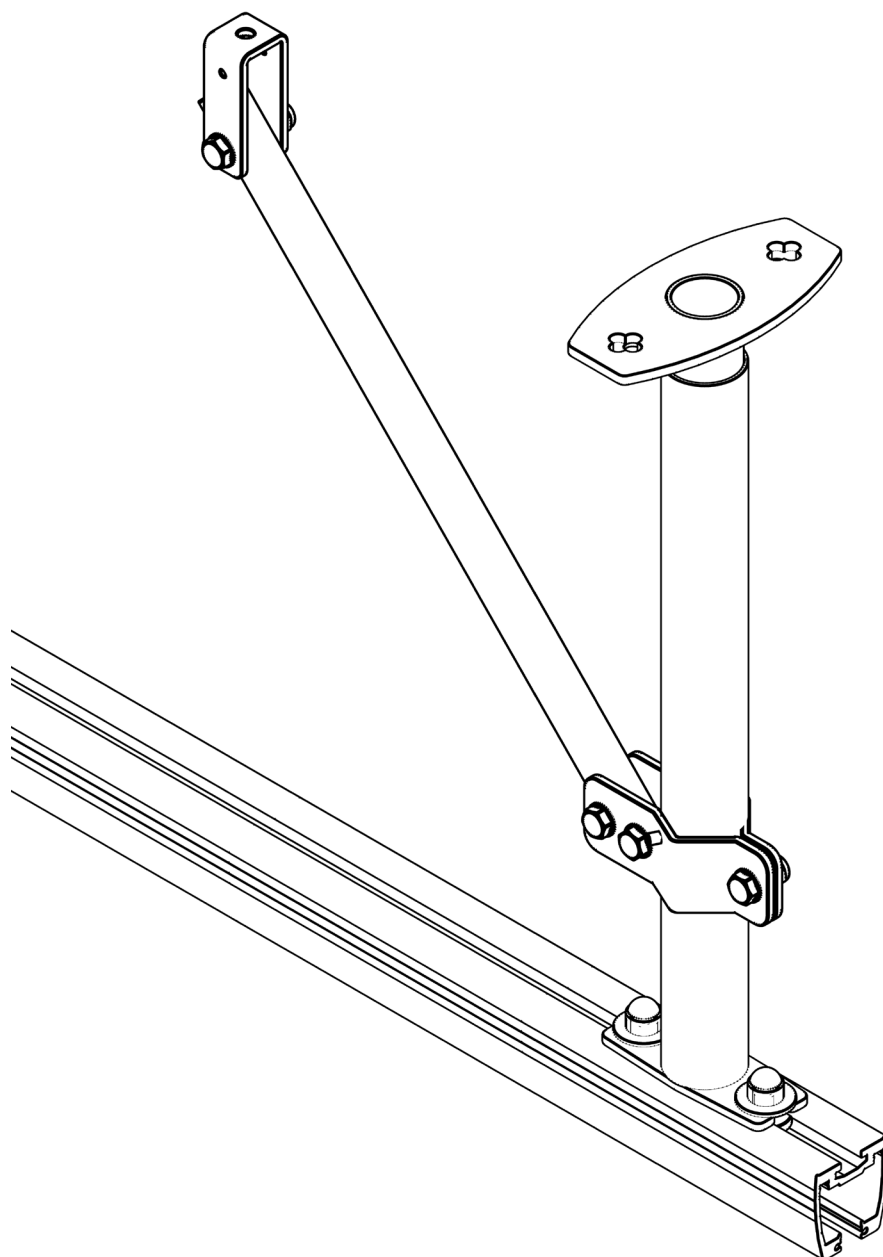
Fixings

Ceiling

Stabilisation fixings

Stabilisation fixings are used as side supports for installations where the suspension height is considerable. They stabilise the rail system.

Stabilisation fixings are installed around the suspended ceiling fixings and attached to the ceiling or wall with a reinforcement piece.





Fixings

Walls

Standard wall fixings

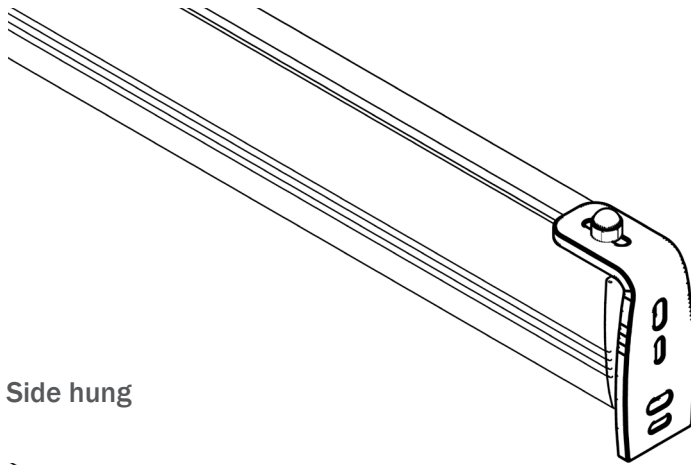
Wall fixings are used for installation on vertical surfaces – typically where the ceiling cannot be accessed or is at an angle, or where the ceiling is very high. This approach avoids unsightly suspended fixings.

Wall fixings can be attached to all types of wall including concrete, light-weight concrete, wood and plaster – but

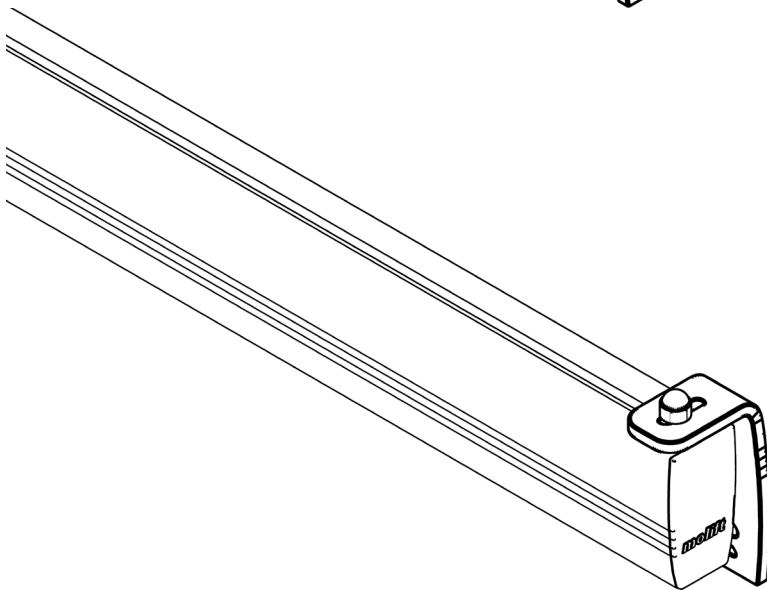
for plasterboard walls, there must be a reinforcement behind the plasterboard.

Wall fixings are attached to the wall with two reinforcing pieces.

End hung



Side hung



Fixings

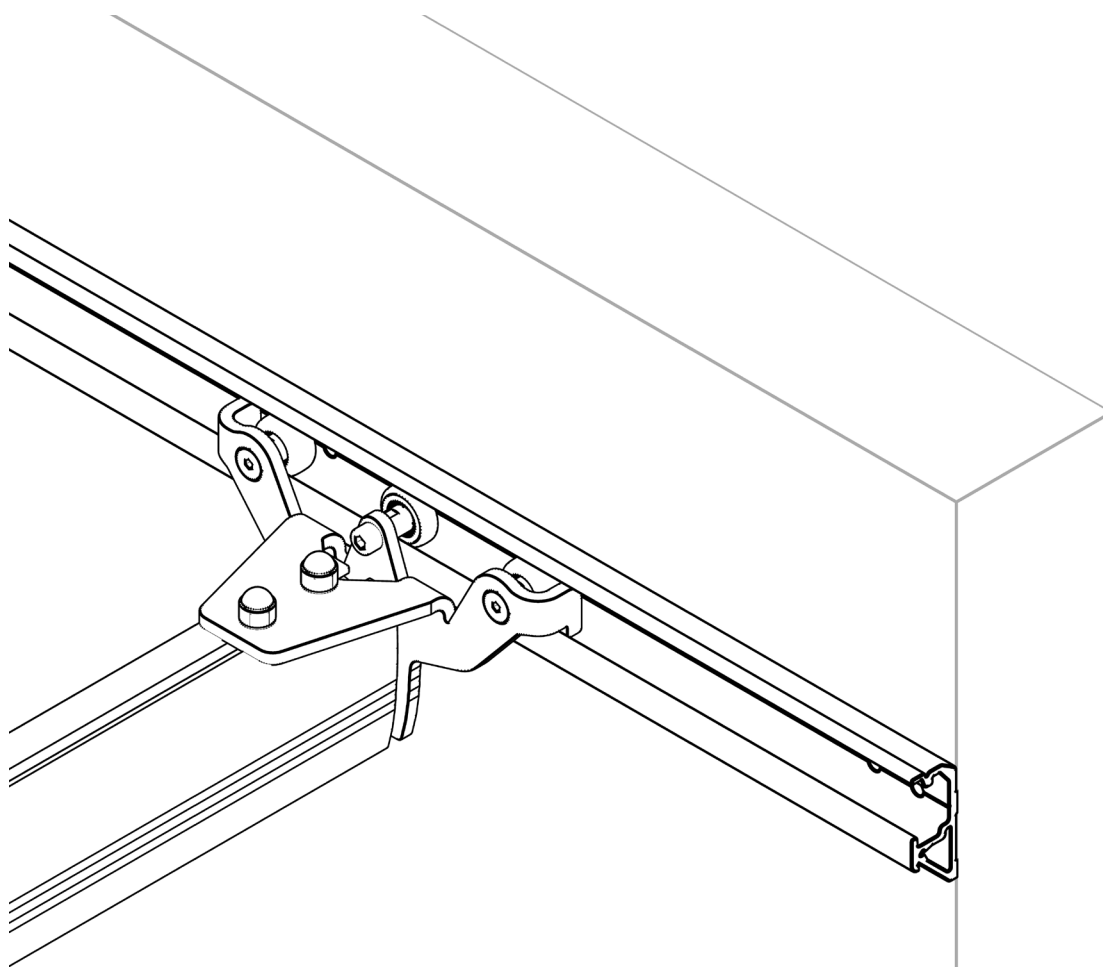
Walls

Wall rail

Wall rails can be installed directly against the wall and have a telescopic traverse trolley that can accommodate up to 50 mm of uneven surfaces in the room.

The wall rail is installed directly against any type of wall. Installation on double layer plasterboard can be done without reinforcement behind the plasterboard.

For systems with a maximum load of 300 kg.





Fixings

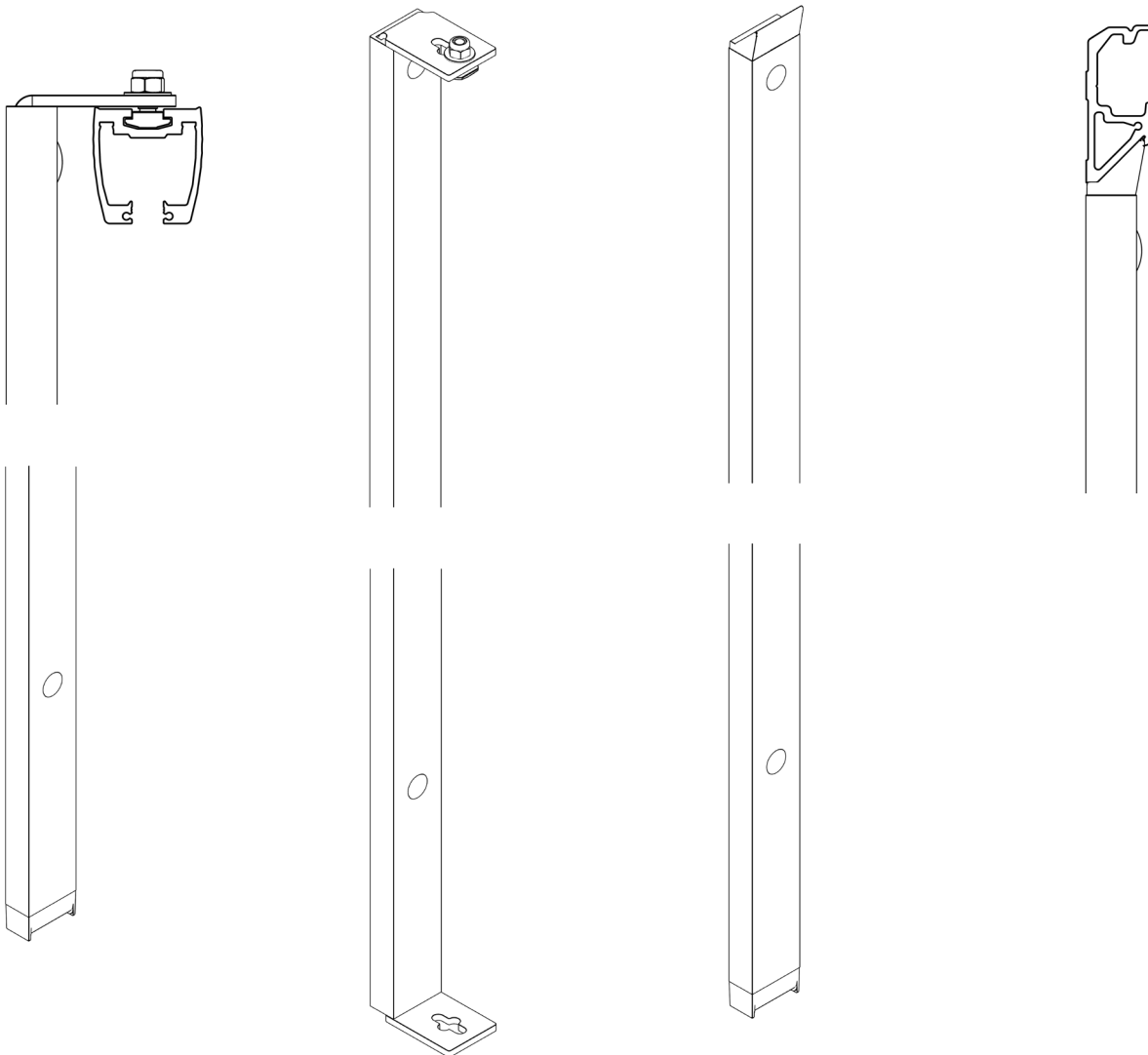
Upright support fixing

Upright support fixings are used where there is no possibility for fixing on walls or ceilings.

This may for example include rooms where the ceiling is difficult to access (e.g., in a hospital) because of various fixed equipment and in rooms with large windows.

Upright support fixings transfer the load to the floor and are attached to the wall for sideways steering. Where there are windows, the upright supports are attached to the floor for sideways steering.

Upright support fixings come in 2 lengths: 2500 and 3500 mm.



Reinforcements ceiling installation

Wooden constructions

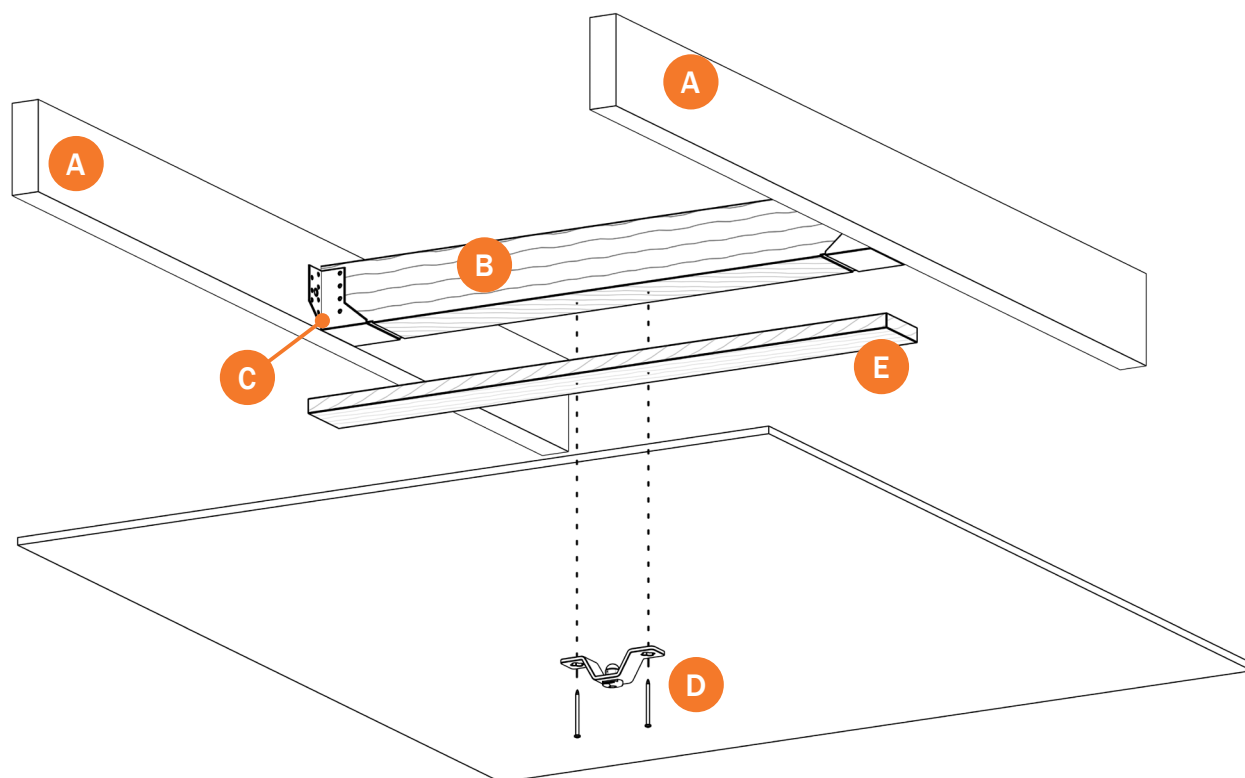
When installing in wooden rafters, an interchange must be created between rafter feet for installing ceiling fittings.

Timber of 100 x 100 mm is used for reinforcement, with Simpson hangers Type BSNN 100/110.

The lower edge of the interchange must be level with the lower edge of the rafter foot.

It is important to install a shuttering board directly below the interchange.

- A:** Rafter foot
- B:** Timber – 100 x 100 mm
- C:** Hanger Simpson BSNN 100/110
- D:** Etac ceiling fixing
- E:** Shuttering board.





Reinforcements ceiling installation

Coupling

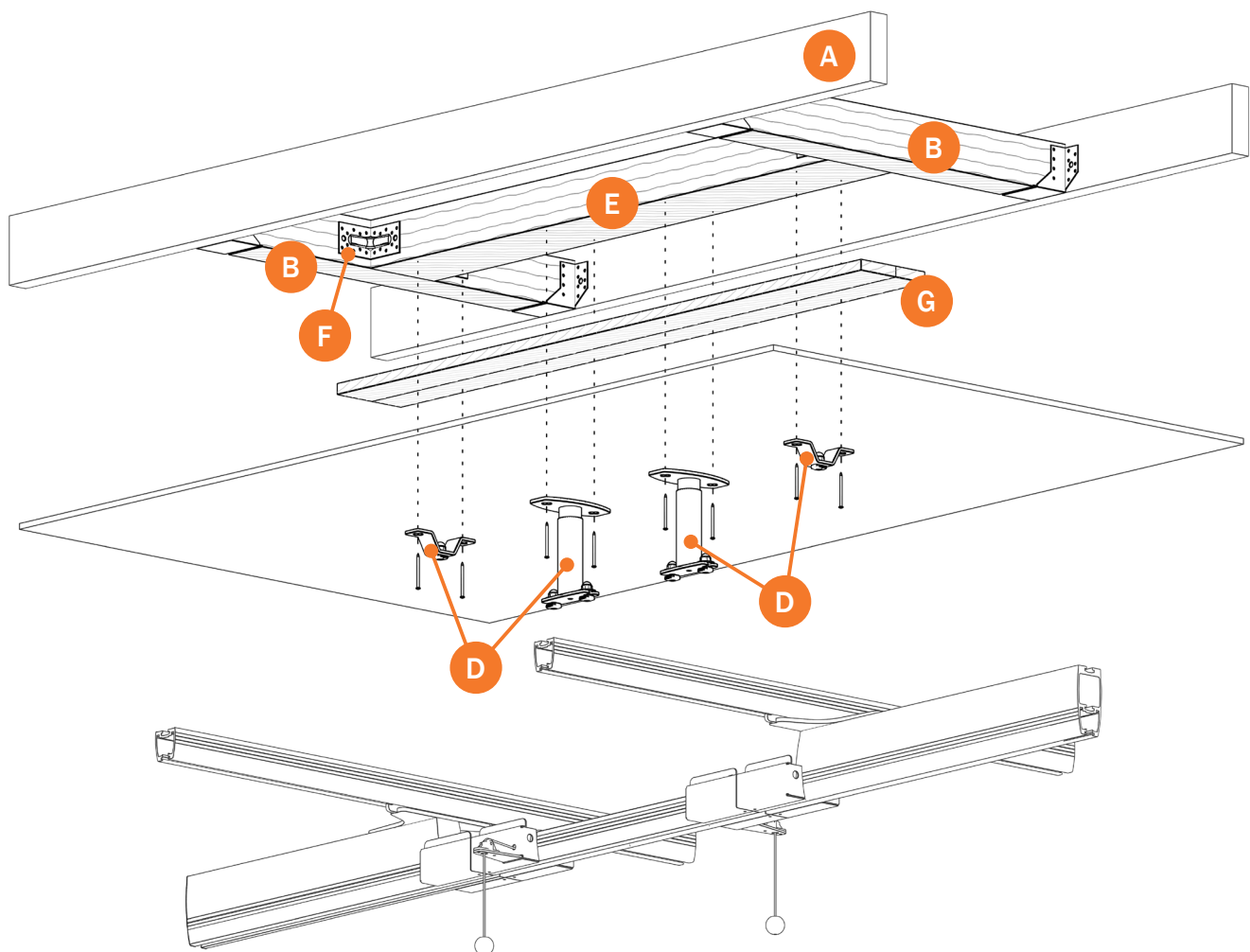
When installing in wooden rafters, an interchange must be created between rafter feet for installing ceiling fittings.

With coupling systems, it is important that the interchange to primary rails is linked to the interchange to the coupling rail.

Timber 175 x 100 mm in size is installed in the centre of the door aperture and this is fixed to the side of 100 x 100 mm timber with four pieces. Simpson angle brackets, Type ABR 9020.

It is important to install a shuttering board directly below the interchange.

- A: Rafter foot
- B: Timber – 100 x 100 mm
- C: Hanger Simpson BSNN 100/110
- D: Molift ceiling fixing
- E: Timber – 175 x 100 mm
- F: Angle bracket Simpson ABR 9020
- G: Shuttering board.



Reinforcements wall installation

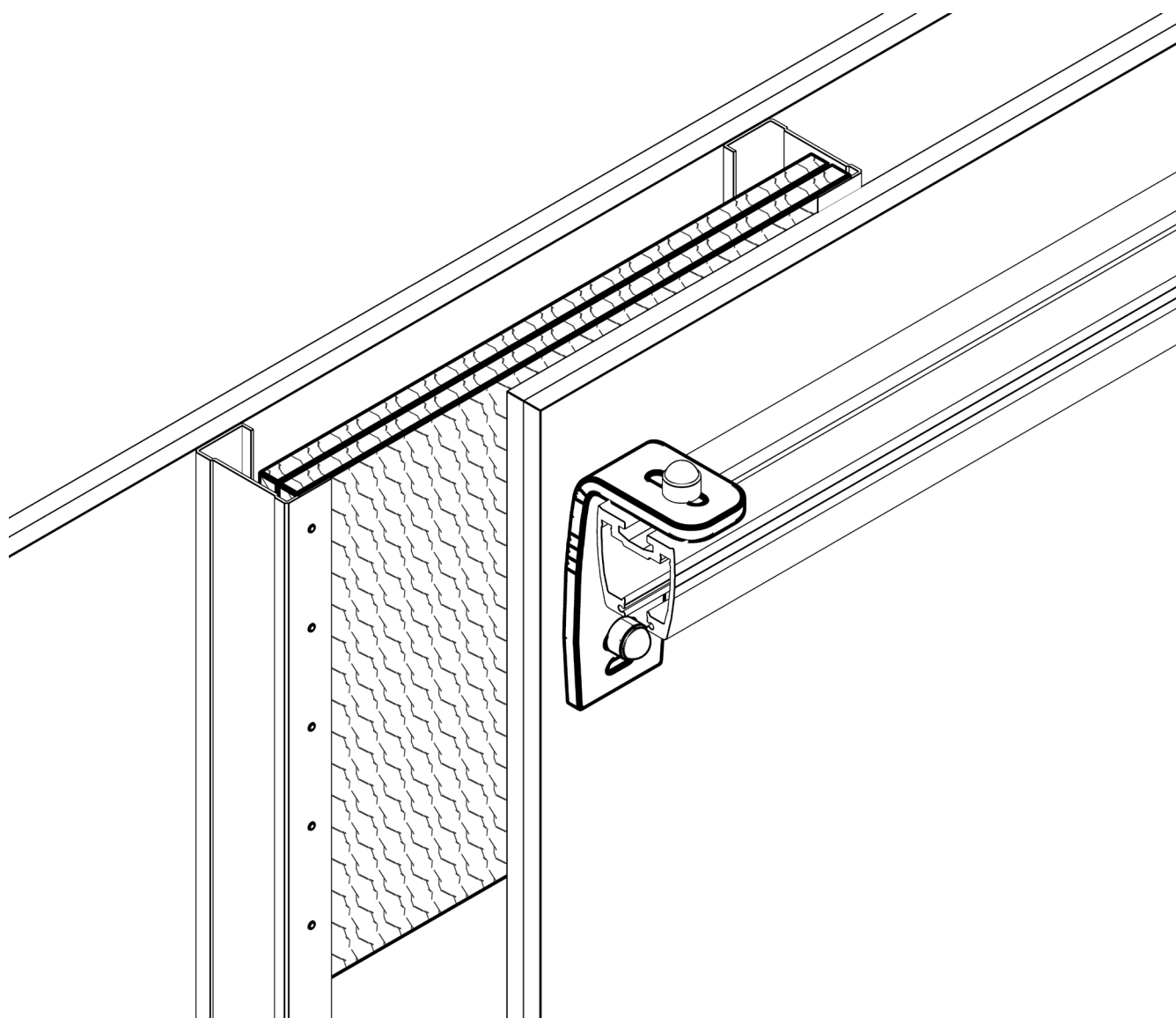
Plaster

For installation using standard wall fixings in plaster walls, it is necessary to reinforce the walls.

Reinforcement must be done with two 21 mm. birch plywood pieces – at each fixing point.

These should be mounted between the vertical steel crossbars/posts. Height 400 mm.

Reinforcement must be installed right up to the ceiling.



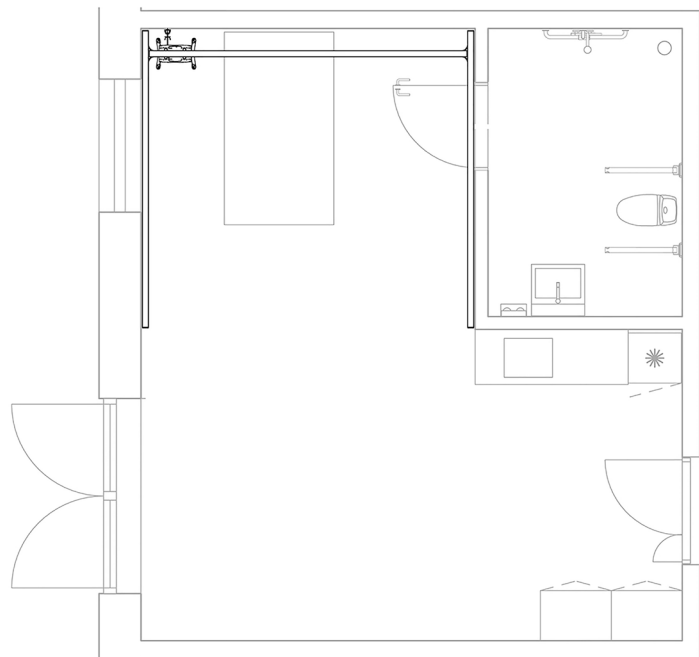
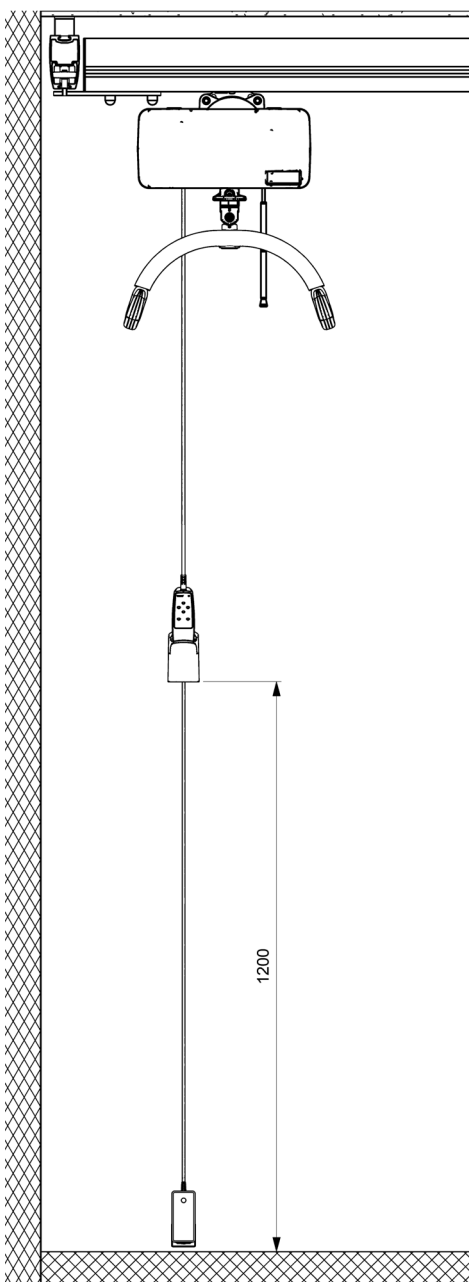


Electrical

Manual charging

Placement of electricity supply (not provided by Etac).
230 V Electrical contact should be positioned on the floor
– where the hoist will be parked for charging.

The Molift docking station for manual charging will be positioned at a height of 1200 mm above the floor.



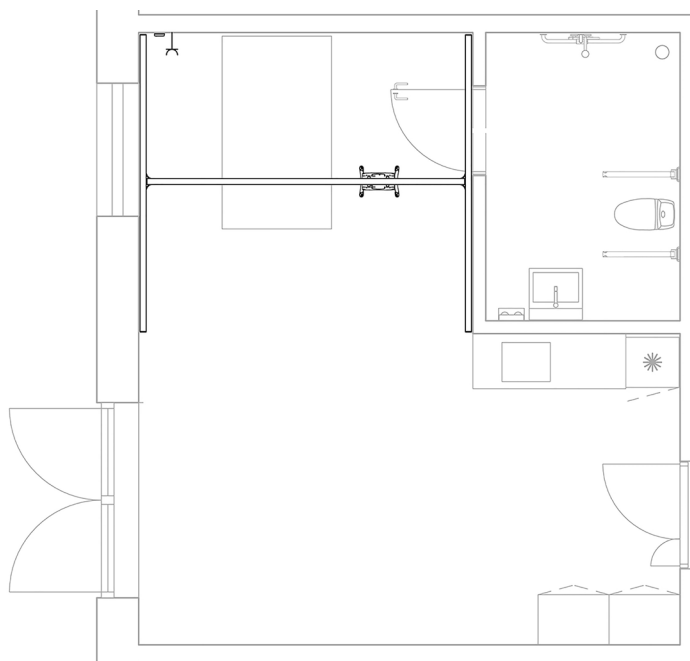
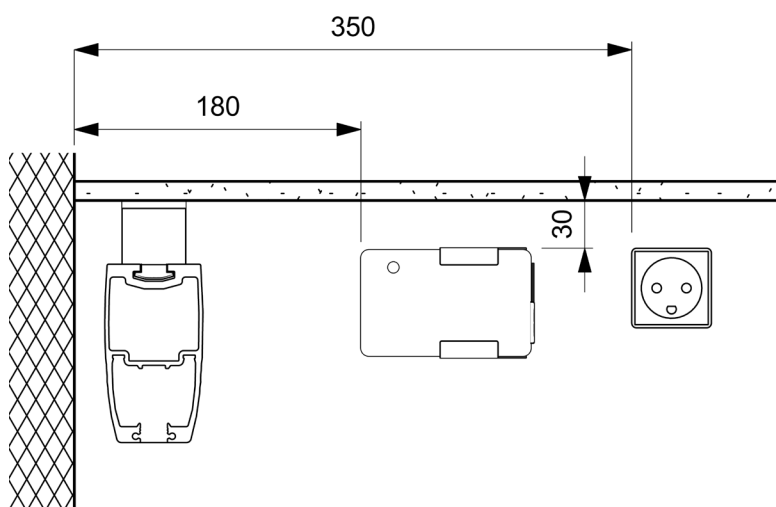
Electrical circuits

Charging in the rail system

230 V Electrical supply (not provided by Etac) must be installed in the corner close to the ceiling.

A Molift transformer must be placed between the rail and the electrical contact.

The ceiling hoist can be parked anywhere in the rail system.





SWL 500

SWL 500 kg ceiling system is only delivered as a traverse and straight systems. System requires minimum 4 pc of brackets. Use heavy duty anchors when mounting brackets to ceiling. Threaded rod system or wall rails can not be used. Use only traverse trolley 1109596 and trolley 2520031.

Bracing with side supports is needed to give stability to ceiling mounted Overhead systems depending on bracket lengths.

Length of bracket < 400 mm, (< 16 inch.):
No need of side supports.

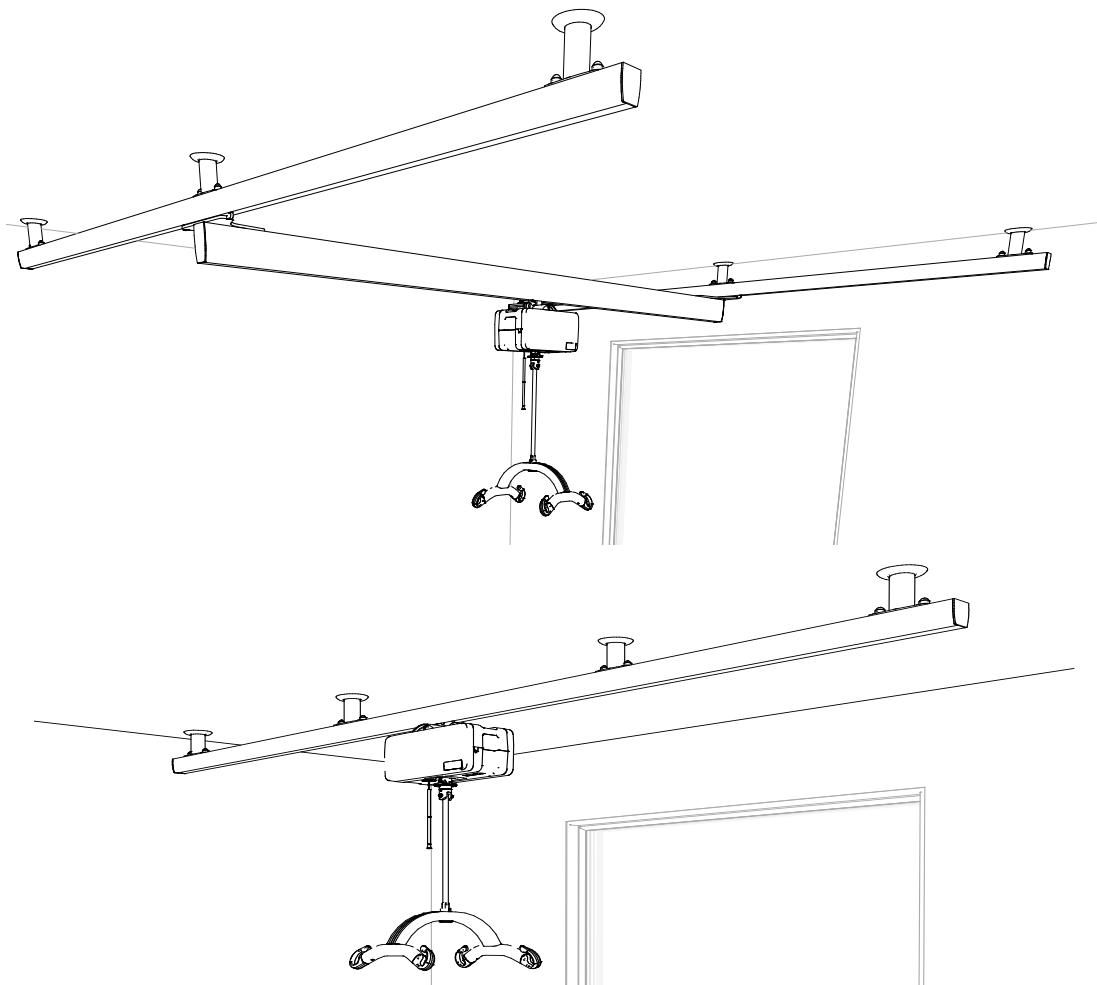
Length of bracket 400 > 2000 mm, (16 > 79 inch.):
Side supports should be mounted acc to a standard traverse system.



Threaded rod brackets and wall rails can not be used on SWL 500 traverse system.



Use only traverse trolley 1109596 and trolley 2520031 for SWL 500 systems.







Etac is a world-leading developer and provider of ergonomic assistive devices and patient handling equipment. Our heart lies in the solutions that optimise quality of life for the individual, their family and caregivers.

For the latest news and continuously updated product information – visit: www.etac.com

Etac AB
Kista Science Tower
SE-164 51 Kista, Sweden
Tel +46 371 - 58 73 30
info@etac.se www.etac.com

 **etac**[®]
Creating Possibilities